



GT Offline to Online Home Edition Update Instructions

Please carefully read the instructions. This update will make your game online capable. If you want to go online a subscription must be purchased and the connection method is by using the Ethernet port on the game computer. See the Online Access Configuration Guide available under Golden Tee Golf Online Home Edition at: <http://amusement.itsgames.com/service/manuals>

SYSTEM REQUIREMENTS: MUST HAVE 1 GIGABYTE (GB) OF MEMORY

If your game has 2013 **courses** or higher, your game will already have enough RAM and you can proceed to **Update Procedure - Step 1** on page 2.

WARNING: If your game only has GT LIVE 2012 **courses** or lower, the System Memory needs to be upgraded to 1 Gigabyte of RAM DDR2 style. If you purchased the RAM from Incredible Technologies, see the **1 GB Memory Upgrade Procedure available under Golden Tee Golf Online Home Edition** at: <http://amusement.itsgames.com/service/manuals>.

Update Contents:

- Update Memory Stick labeled “Golden Tee YEAR Version **16.04.XX**”
- Security Chip labeled **G21US-HEO-4**
- Golden Tee Cabinet Marquee
- Online Access Configuration Guide
- Update Instructions
- Keypad – If Ordered

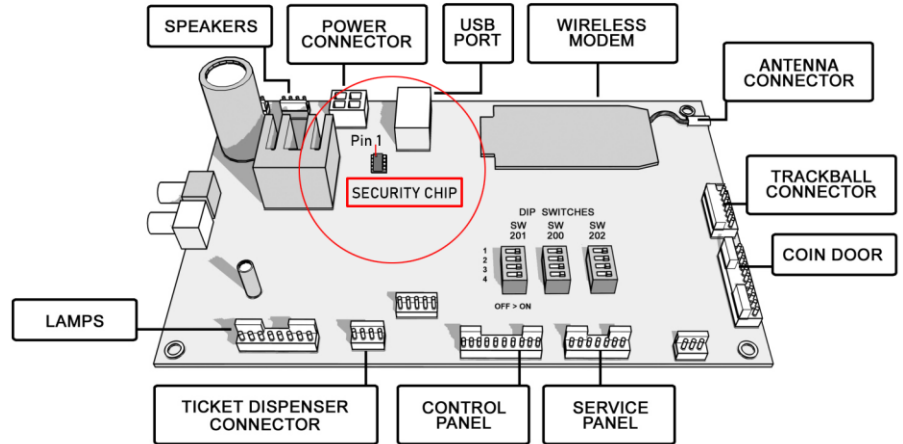
Notice

If converting a commercial version to an online capable home version you will need to call Incredible Technologies technical support department before installing the new security chip. Technical Support is available from 8 AM to 6 PM central time Monday through Friday. **800-262-0323 ext. 380**. If your game is already a home edition version and you are only upgrading courses you **will not** need to call first. Proceed with the update.

Update Procedure

Step 1: Install the Security Chip

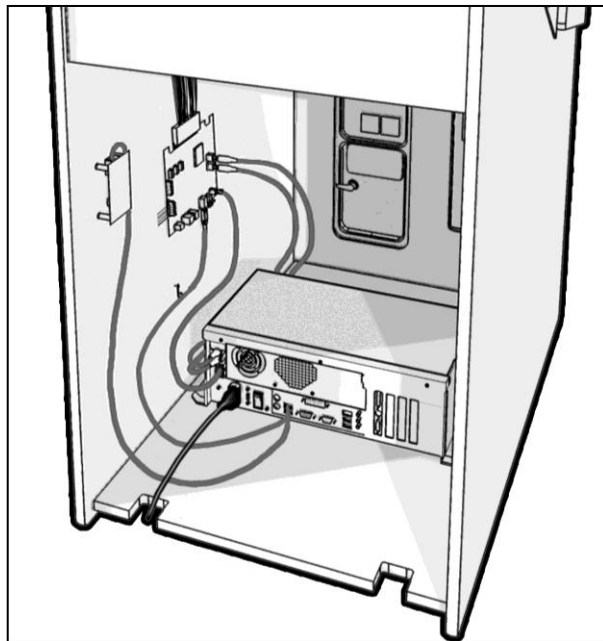
1. Turn OFF all power to the game.
2. Carefully remove the socketed security chip found at U101 on the I/O Board. (A small flat blade screwdriver works best.) It is extremely important to note the orientation of the chip. The small black dot (Pin 1) must be on the same side as the USB Port.



Example of an I/O Board with a security chip.

3. *Make sure the new chip is oriented the same as the old chip before inserting it into the U101 socket.* Be sure the chip is seated properly with no bent pins.

Note: If the Security Chip is damaged, DO NOT THROW IT AWAY. It is required when purchasing a replacement.



Location of the I/O Board wall mounted inside a dedicated cabinet.

Step 2: Install Memory Update Stick

Please remember it is important to **keep** the update stick for future updates. The update stick can be used for an unlimited number of updates. **Do not discard.**

1. Access the system box on a showpiece style cabinet by turning the key at the back of the cabinet to unlock the control panel box and lift up the hinged control panel. On a dedicated upright cabinet unlock and remove the back door.
2. Turn off power to the system box or the entire cabinet.
3. Locate an open USB port on the system box. If there are no open ports, unplug the USB cable that is routed to the card reader.

WARNING: Do not unplug the USB cables routed to the I/O Board or CID.

4. Insert the Update Memory Stick into an open USB port on the system box.
5. Turn ON power.

It is important to prevent losing power or turning off the game during this software update!

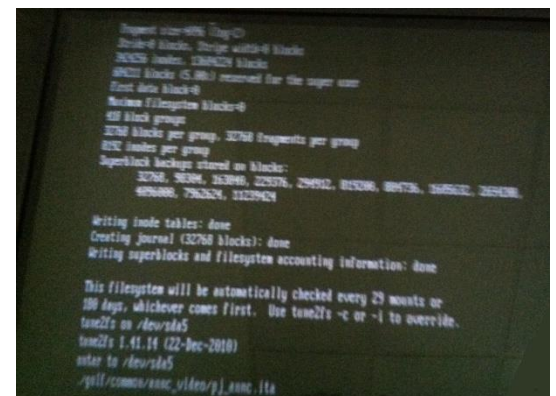
6. The game should automatically detect the memory update stick and run the Installer program. It is possible that on some systems the game might reboot again before running the Installer program.

WARNING: If Error Message 6 or 12 displays, or a blank screen after booting from stick, the wrong USB cable was disconnected. Turn OFF power, replace the cable, select a different USB port and try again. If the initial update speed is not ideal, more than one reboot may occur.

7. The Installer will read the CID, I/O Board, and Nighthawk system box to make sure this upgrade is possible. Watch the screen for instructions.
8. Press Start to accept the ITNet Operator's Agreement (the installation of the software upgrade will begin). The upgrade will take about 30 minutes. In rare cases, depending on the hard drive health, it could take up to 1 hour to complete. Please be patient during this process.

Note: A graphical progress bar does not exist if updating from Version 2016 and lower. The screen display looks similar to the screen at right during the boot up process.

9. When the install is complete, the Installer prompts to turn OFF the game, remove the memory update stick, reconnect the original USB cable (if removed), and then turn the game back ON.
10. Once complete, enter the System Setup Menus and verify that the software version is **Version 16.04.XX.**



Step 3: Install Keypad – If this device was ordered

The Keypad is a vital aspect to Golden Tee Online Home Edition. Players are required to use a card or number to identify themselves for most of the online features. If the keypad is not working properly, these features will not be available.

To access the online features of the Golden Tee Online Home Edition, see the *Keypad Installation Guide* available under Golden Tee Live at: <http://amusement.itsgames.com/service/manuals>.

Online Access Configuration Guide

To access the online features of the Golden Tee Online Home Edition, see the *Online Access Configuration Guide* available under Golden Tee Golf Online Home Edition at: <http://amusement.itsgames.com/service/manuals>. To subscribe to Golden Tee HOME or download a replacement guide, please visit our web site at <http://home.goldentee.com>.

Updated Resolution Capability

Home Edition owners may want to take advantage of the 1080p resolution capability in Golden Tee 2021.

If you have a 1080p-capable HDTV **and the Product # on the back of your system box is 900075327 or higher**, you can change the Sw201 DIP to match the 1920 x 1080 (HDMI) resolution setting (see Resolution Settings in HDTV Monitor Application on the last page of these instructions).

See image at right for the location of the Product #. (The Product # can be found on the white sticker reading GT LIVE on the back of the system box next to the HDMI output.)



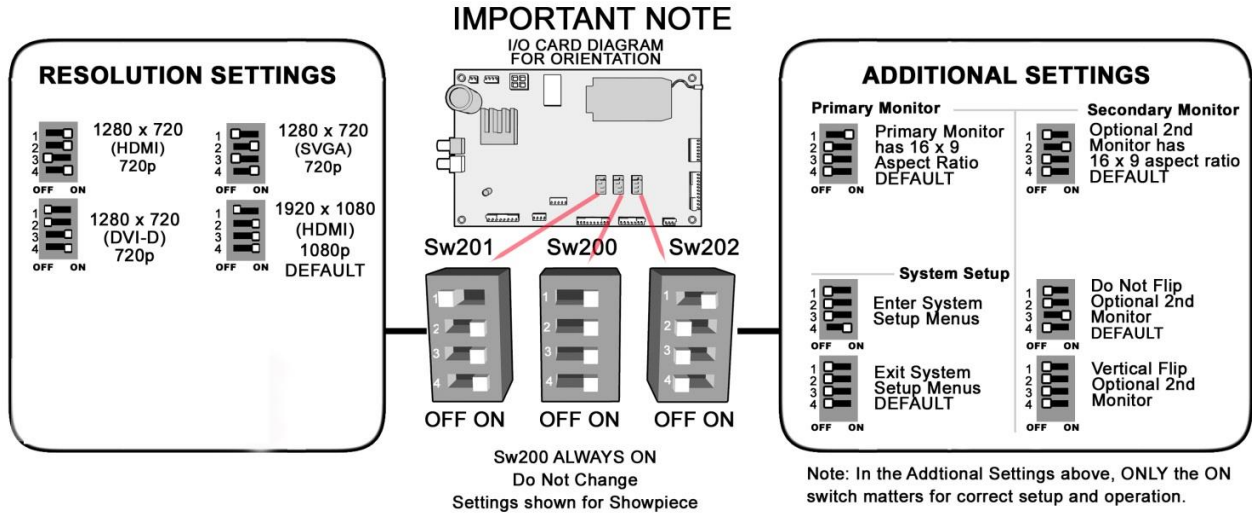
Showpiece Marquee Installation



1. Slide the rectangular marquee mounting frame from its position on the two upright posts.
2. Remove any one of the four side pieces of the mounting frame.
3. Remove the current plastic laminate marquee from the mounting frame, but do not remove the cardboard.
4. Slide the updated marquee into place and reassemble the side piece or pieces. Make sure all of the surrounding pieces of the mounting frame are tight and the plastic laminate is smooth against the cardboard.
5. Slide the fully assembled marquee back into position.

Note: No cutting required when installing the Showpiece marquee.

HDTV MONITOR APPLICATION



System Box

