



Showpiece PowerPutt LIVE-Ready to LIVE Kit Conversion Instructions

BE ADVISED:

THIS CONVERSION ACTIVATES THE LIVE FEATURE FOR SHOWPIECE POWERPUTT LIVE-READY CABINETS WITH ANTENNAS INSTALLED ONLY!

SYSTEM REQUIREMENTS:

- **YOUR SYSTEM MUST HAVE 512 MEGABYTES OF MEMORY AND NOT TO EXCEED 1 GIGABYTE.**
- **YOUR MONITOR MUST HAVE A WIDESCREEN RESOLUTION OF AT LEAST 1280x720.**

This kit will not work with LOW resolution CGA/EGA RGB monitors. A kit for this type of monitor is not available.

Offline to Online Kit Contents:

- USB Card Reader
- Software USB Flash Drive
- Cabinet Identification Device (CID)
- Marquee
- Quick Install Card
- PowerPutt LIVE Manual

Install New CID Procedure

Tools/equipment required:

- CID
- Software USB Flash Drive
- ¼" Hex Nut Driver
- Flashlight (optional)

Note: The monitor must be a HDTV, this conversion will not work on games using low or medium resolution monitors also known as CGA/EGA RGB monitors.

1. Turn OFF all power to the game.
2. Install the new CID in the game cabinet
Note: Keep the old CID for Step 6 below.
3. Insert the Software USB Flash Drive in any of the USB ports on the back of the system box to begin the Installer program.
4. Turn ON power to game. **It is important to not lose power or turn off the game during this software update!**
5. If everything is functioning properly, the Installer prompts you to disconnect the new CID. Power to the cabinet must remain ON while **disconnecting** the new CID.
6. Once disconnected the Installer prompts you to connect the old CID. Power to the cabinet must remain ON while **connecting** the old CID.



PowerPutt LIVE-Ready to LIVE Kit Conversion Instructions

7. Once connected the Installer verifies and marks the old CID. When complete, the Installer prompts you to remove the old CID. **This CID cannot be used again.** Be sure to mark it as disabled after removal.
8. The Installer prompts you to reattach the new CID.
9. After the new CID is connected, Press **Start** on the control panel to begin the installation of the software upgrade. **Important! Do not lose power or turn off the game after the Start button has been pressed or any time while the update is in progress.**
10. When the install is complete, the Installer prompts you to turn OFF the game, remove the USB Flash Drive from the USB port, and then turn ON the machine.
11. The upgrade is complete. **This first boot up will take longer than normal, so please be patient!**
12. Discard the old CID. It is no longer usable.
13. Place the new Cabinet ID Number sticker on the back of the cabinet. The old ID Number is obsolete.
14. You will need to register your new PowerPutt LIVE game once updated. Use your ITNet Operator ID Card to access the registration menus, or go to the System Setup Main Menu, then select **ITNet Settings>Register Game.**

Note: If during registration an *ITNet Unavailable* message appears, reboot your machine before attempting the registration process again.

USB Card Reader Installation

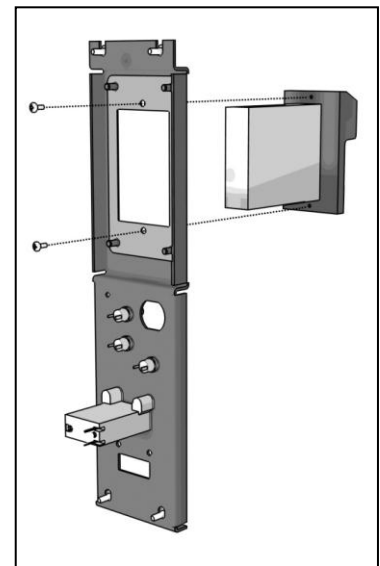
It is vital to keep the PowerPutt LIVE Card Reader in good working condition because players use a card to identify themselves for most of the online features. Without a Card Reader in good working order these online features are not accessible.

Card Reader Removal (If Necessary)

Access the card reader through the coin door opening. To remove the card reader, disconnect the USB connector from the Card Reader. Then remove the 4 T-15 security screws that secure the mounting panel that holds the card reader, coin counter and buttons. Next, remove the two Phillips head screws holding the card reader to the mounting panel. Once loose, pull the card reader out through the front of the panel.

Card Reader Installation

Open the coin door to access the card reader mounting. Place the back end of the card reader through the opening on the mounting panel. The larger portion of the card reader bezel should be in the up position. From the backside of the panel, secure the card reader to the panel with the 2 Phillips head screws. Once in place, reconnect the USB cable to the card reader. Attach the mounting panel to the coin door with the 4 T-15 security screws. Power the game back on and test the card reader using the Card Reader Test located in the Troubleshooting Shortcuts Menu in System Setup.



Showpiece Marquee Installation



1. Slide the rectangular marquee mounting frame from its position on the two upright posts.
2. Remove any one of the four side pieces of the mounting frame.
3. Remove the current plastic laminate marquee from the mounting frame, but do not remove the cardboard.
4. Slide the updated marquee into place and reassemble the side piece or pieces. Make sure all of the surrounding pieces of the mounting frame are tight and the plastic laminate is smooth against the cardboard.
5. Slide the fully assembled marquee back into position.

System Box Filter Cleaning

A clean filter is very important for proper cooling and optimal performance of the hardware. Be sure to clean this filter regularly.

1. With the back door removed, slide out the ventilation filter located on the underside of the system box.
2. Clean the filter thoroughly so it is free of dust and debris.
3. Insert the filter back into the slots of the bracket located on the underside of the system box.