



## Showpiece Pro Install Guide

### CONTENTS

Access any section below by tapping on it:

Contents .....	1
Showpiece Pro Cabinet Components .....	2
Warnings and Notices .....	3
TV Mounting and Cabinet Positioning .....	5
AC Power Connection .....	6
HDMI Connection .....	6
Power On .....	7
Online Configuration .....	7
Care and Cleaning .....	8
Monitor Sizes .....	9
Marquee Assembly .....	13

#### NOTE

**PLEASE RETAIN ORIGINAL SHIPPING BOX FOR SERVICE AND REPAIR.  
Some game features will not be available if the unit is not properly registered to ITNet.**

## SHOWPIECE PRO CABINET COMPONENTS

- (1) Showpiece Pro Cabinet with WiFi
- (1) Welcome Card
- (1) Marquee Kit

Shipped inside a plastic parts bag attached to the front of the cabinet:

- (1) AC Power Cord for Pedestal Cabinet (10 Feet)
- (1) HDMI Cable (15 Feet)

### 4K Resolution Monitor

You will need to supply a 4K TV digital display for the game's main monitor and an appropriate stand or wall mount. The ideal size is 55" and the maximum size is 65". Please be aware of heights and widths of various monitor sizes in relation to the floor. IT offers a Showpiece Pro Stand that can be purchased separately. This is an ideal way to present the cabinet and monitor. For details on mounting the monitor, see [TV Mounting and Cabinet Positioning](#).

### Maximize Your Game

Want access to more features and game modes? Once your game has been setup and connected to the internet, head over to the promote side of Silver Strike for these competitive tools that will help maximize earnings. You will need your Operator Login to access Run IT and Score IT.

### Run IT

This online platform lets operators build full-featured leagues customized for their players and locations. Operators set the rules, approve teams, create schedules, and manage the league, while players simply join, compete, and track their stats and standings.

- Target specific locations & drive engagement
- Promote your seasons on cabinets to find players & teams
- Track standings, matchups, and player progress
- Automate scheduling, results, and notifications

### Run IT

<https://promote.itsgames.com/run-it/operatorLogin.jsp>

### Score IT

This is Incredible Technologies' online platform for tracking Golden Tee and Silver Strike scores and contests, replacing the former FACTS system. It captures detailed stats-like averages, birdies, pins hit, strikes, and Holes-in-One and gives operators the tools to run their own contests and tournaments with local prizes.

- Track gameplay analytics across locations
- Build custom weekly or monthly contests
- Publish leaderboards and promotions
- Gain insights into routes and player bases

### Score IT

<https://promote.itsgames.com/score-it/login>

## WARNINGS AND NOTICES

### NOTICE

- This game is intended to be operated for amusement purposes only. It is not to be operated in violation of any federal, state, or local laws or regulations. As the owner and/or operator of this game you are responsible for its operation in compliance with such laws and regulations. The factory settings for this game may require adjustment to comply with the laws and/or regulations in the jurisdiction where the game is located. It is the sole responsibility of the operator to determine what laws and/or regulations are applicable and to make any adjustments to the game before operating it for its intended purpose.
- This guide and the information contained within is subject to change without notice.

### WARNING

- Use of unauthorized parts or making any unauthorized modifications will void the warranty and may result in the game operating in an unsafe or incorrect manner.
- If the supply cord is damaged, it must be replaced by a special cord or assembly available from the manufacturer or its service agent.
- This cabinet is not suitable for installation in an area where a water jet would be used. The cabinet must not be cleaned by a water jet.

### WARRANTY, REPAIR, AND RETURN POLICY

- 90-day warranty on all electronic components. All warranty periods begin on the date of purchase from Incredible Technologies, Inc.
- There is a minimum \$95.00 service charge for all non-warranty repairs or returns.
- For all servicing, return to Incredible Technologies, Inc.
- ANY non-factory repair or attempted repair voids warranty.

### RETURN MERCHANDISE AUTHORIZATION

- All returned merchandise must have a Return Merchandise Authorization (RMA) number marked clearly on the outside of the package.
- You must obtain all RMA numbers from Incredible Technologies. Please have the product's Cabinet Identification Device number available when calling for an RMA number.
- Merchandise returned without an RMA number will not be accepted.
- Warranty may be void if serial number or security labels are tampered with or removed. **Opening the System Box will void your warranty.**
- Advance replacement hardware will be shipped to the customer address on file unless specified otherwise.
- Advance replacement hardware will be billed to the customer until Incredible Technologies, Inc. receives the returned merchandise, at which time a credit will be issued.
- All repairs and/or replacements will ship as soon as possible after receipt or request (subject to availability).

### PAYMENT FOR AND STORAGE OF REPAIR MATERIALS

Materials sent to IT for repair must be paid for according to current price schedules and in a reasonable time. Storage fees for repaired equipment will be charged at a rate of \$50.00 (Fifty US Dollars) per calendar month or fraction thereof after 90 (Ninety) days from notice to the customer that the repairs are complete. IT reserves the right to resell repaired equipment to cover accumulated storage charges when the accumulated storage charge reaches 100% (One Hundred Percent) of the repaired items' then-current replacement cost.

- Read these instructions

- Keep these instructions
- Heed all warnings
- Follow all instructions
- Do not use this apparatus near water
- Clean only with dry cloth
- Do not block any ventilation openings.
- Do not install near any heat sources such as radiators, heat registers, stoves, or other apparatus (including amplifiers) that produce heat
- Do not defeat the safety purpose of the polarized or grounding-type plug. A polarized plug has two blades with one wider than the other. A grounding type plug has two blades and a third grounding prong. The wide blade or the third prong are provided for your safety. If the provided plug does not fit into your outlet, consult an electrician for replacement of the obsolete outlet.
- Protect the power cord from being walked on or pinched particularly at plugs, convenience receptacles, and the point where they exit from the apparatus.
- Only use attachments/accessories specified by the manufacturer.
- Unplug this apparatus during lightning storms or when unused for long periods of time.
- Refer all servicing to qualified service personnel. Servicing is required when the apparatus has been damaged in any way, such as power-supply cord or plug is damaged, liquid has been spilled or objects have fallen into the apparatus, the apparatus has been exposed to rain or moisture, does not operate normally, or has been dropped.

DO NOT expose the apparatus to dripping and splashing. DO NOT put objects filled with liquids, such as vases on the apparatus.

### CAUTION

The motherboard is provided with a replaceable lithium battery. There is a danger of explosion if a battery is incorrectly replaced. Replace the battery only with the same or equivalent type.

### WARNING

- To reduce the risk of fire or electric shock, do not expose this apparatus to rain or moisture.
- The apparatus shall be connected to a mains socket outlet with a protective earthing connection. Substitute cords may not provide adequate fault protection. Only use the power cord supplied with this product or an Incredible Technologies, Inc. authorized replacement.
- The mains plug or an appliance coupler must remain readily operable.
- Use of unauthorized parts or making any unauthorized modifications will void the warranty and may result in the game operating in an unsafe or incorrect manner.
- This Pedestal Cabinet is not suitable for installation in an area where a water jet would be used. The cabinet must not be cleaned by a water jet.

## TV MOUNTING AND CABINET POSITIONING

The 4K monitor must be mounted vertically. Position the Showpiece cabinet in front of a 4K Monitor at least 24 inches from the monitor. Incredible Technologies recommends a 4K resolution TV from 55 inches or larger. (The recommended maximum size is 65 inches).

**IMPORTANT:** IT recommends that the traditional bottom of the monitor be oriented on the left so that the video will display in the correct orientation.

If the monitor is oriented with the traditional bottom on the right, the video will appear upside down. It can be flipped in the Setup Menu.

- At the initial Attention screen there is a selection to flip Monitor orientation. It is located below the two options: YES, I AGREE or NO, I DISAGREE

There are many different types of wall mounts available through retail, wholesale and Internet outlets. The monitor must be positioned vertically.

**Note:** The wall mount you select **must be UL listed**. Be sure that the top of the Showpiece Pro cabinet has at least 24-inch clearance in all directions. Insufficient clearance may result in damage to your display or player injury.

The table below shows comparative height ranges of various monitor sizes in relation to the floor. The recommended monitor size is 55 inches.

### Monitor Mounting Considerations

- The Marquee adds 14 inches to the overall height.
- The bottom of the monitor should be about 36 to 42 inches from the floor.
- The diagrams provide approximate measurements by plus or minus 2 inches.

For diagrams of monitor sizes in relation to the Showpiece Pro Stand or relative distances to the floor on a wall mount, see [Monitor Sizes](#).

Monitor Size Table

TV Size	High Mount	Middle Suggested	Low Mount
65"	99"	92"	88"
<b>55"</b>	<b>94"</b>	<b>87"</b>	<b>82"</b>
50"	92"	85"	81"
43"	89"	82"	78"

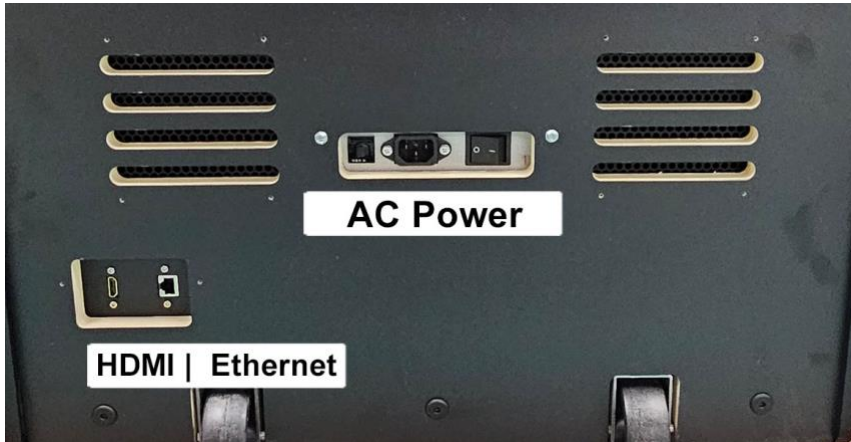
### Leg Leveler Adjustment

Once your game is in position at the location, it is necessary to adjust the leg levelers. The leg levelers will help stabilize the game on an uneven floor and help it from moving or shifting during game play. The game is shipped with the two front and two rear leg levelers installed. Adjust the levelers as necessary to level and stabilize the game.

Use one 3/4-inch open ended wrench and one 5/8-inch open ended wrench to adjust the leg levelers. The 3/4 inch nut must be cracked and loosened to allow the leveler to move up and down. Use the 5/8-inch wrench to hold the leveler in place while using the 3/4-inch wrench to unlock the locking nut. After the locking nut is loosened, adjust the leg leveler to the desired position. Once the levelers are positioned so that the game is steady, lock the 3/4-inch nut in place on any levelers that were adjusted.

## AC POWER CONNECTION

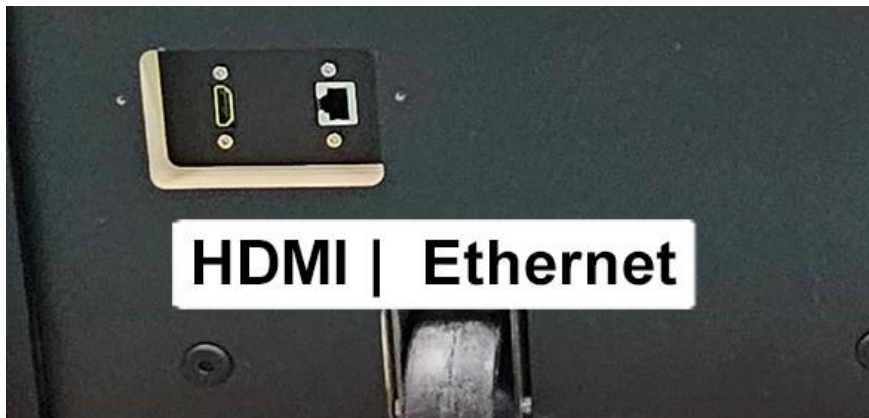
Connect the supplied Game AC power cord from AC power input (rear of cabinet) to an AC Power source.



AC Power Input

## HDMI CONNECTION

Connect the supplied HDMI Cable to the HDMI port found on the back of the Cabinet. Connect the other end of the HDMI Cable to the 4K TV HDMI input of your choice.



HDMI Port

## POWER ON

Using the TV Menu, select the HDMI port that you have the game connected to. Many monitors will automatically find the games video. (O = Power OFF / I = Power ON)

Turn the game on using the Cabinet Power Switch. The boot up screen will be displayed on the TV. This will take a few minutes, be patient. There will be moments of a blank black screen at times before colored Graphics are displayed.

**Because the TV is mounted Vertically for portrait mode, much of the boot video will be sideways.**

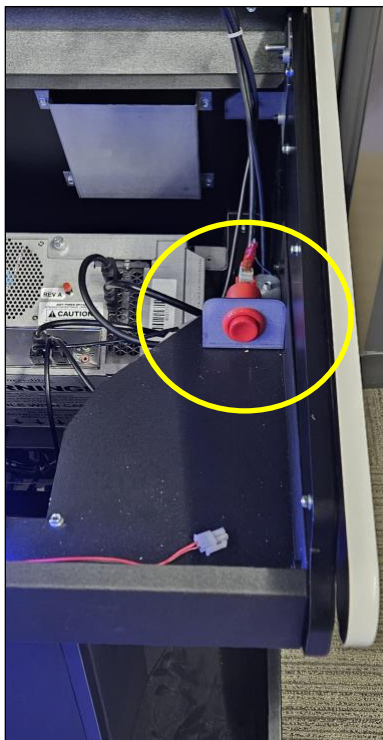


## ONLINE CONFIGURATION

To access the online features in your new IT game, you must have a network with Internet access. Make sure you have already setup the basic Power and HDMI connections for your game.

Use the key that is stored on a hook at the back of the cabinet for shipping to unlock the control panel. The lock is located at the front of the cabinet under the Rubber bumper. Lift it and use the red button inside the cabinet on the right side to access the System Menus.

You can either use **Wifi** or **Ethernet** to setup online access. IT has prepared a full guide to take you through the process step-by-step. The [Commercial Online Configuration Guide](#) will get your game up and running online. **It is highly recommended to use this guide to complete your online configuration.**



Red Button – System Menus

## **CARE AND CLEANING**

### **Rubber Bumper**

The rubber bumper on the front of the cabinet's control panel is made from durable nitrile rubber. Clean it using a mild soap and water solution or blue window cleaner.

### **Vents**

The hardware that runs Silver Strike League Night Edition is quite sophisticated, and many of the chips and processors will get hot very quickly. Like your desktop PC, the Silver Strike League Night Edition hardware needs adequate ventilation to work properly. Dust and dirt can be a major cause to overheating and will lead to costly repairs. At least once a month, check to make sure the vents are free of dust and debris. Use a vacuum to clear all the ventilation holes on the cabinet as well.

### **Trackball Maintenance**

The trackball will require periodic maintenance to assure optimum performance. In most cases the inside of the trackball simply needs to be cleaned of any accumulated dust and debris.

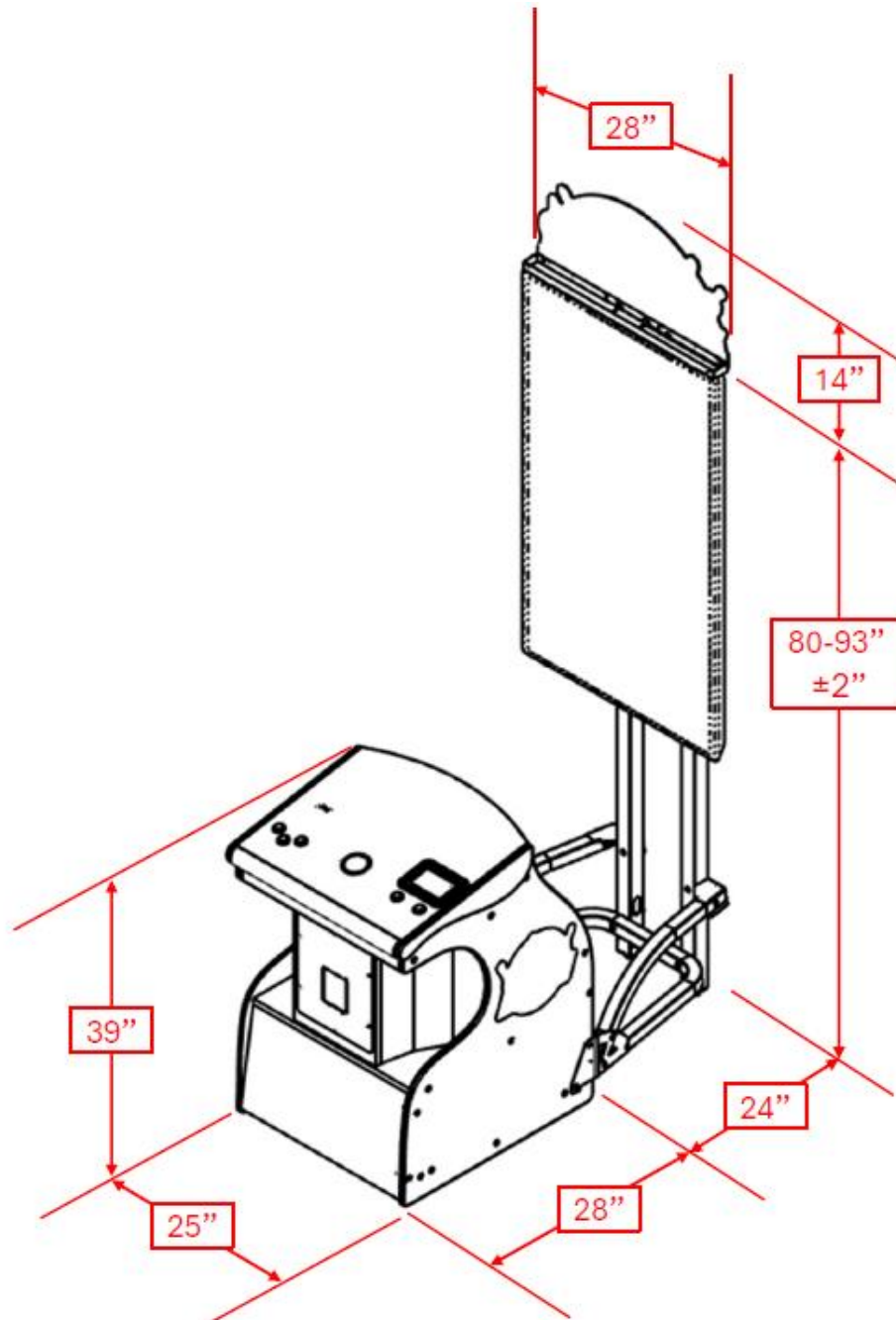
See the video below:

<https://www.youtube.com/watch?v=yQv6MDVKYFc>

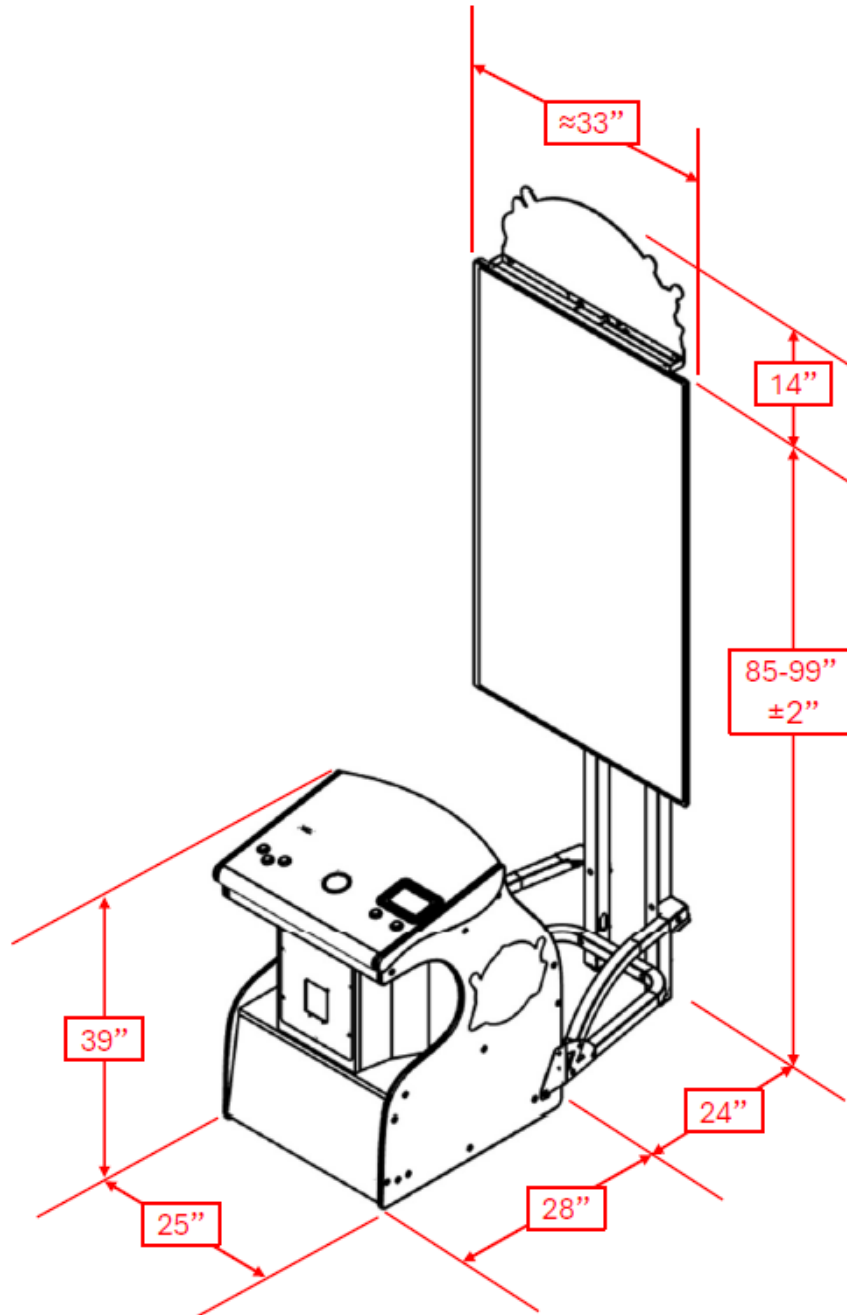
## MONITOR SIZES

**Note:** If wall mounting, use the distances as an approximate guide. Note that the monitor must be at least 24 inches from the Showpiece cabinet.

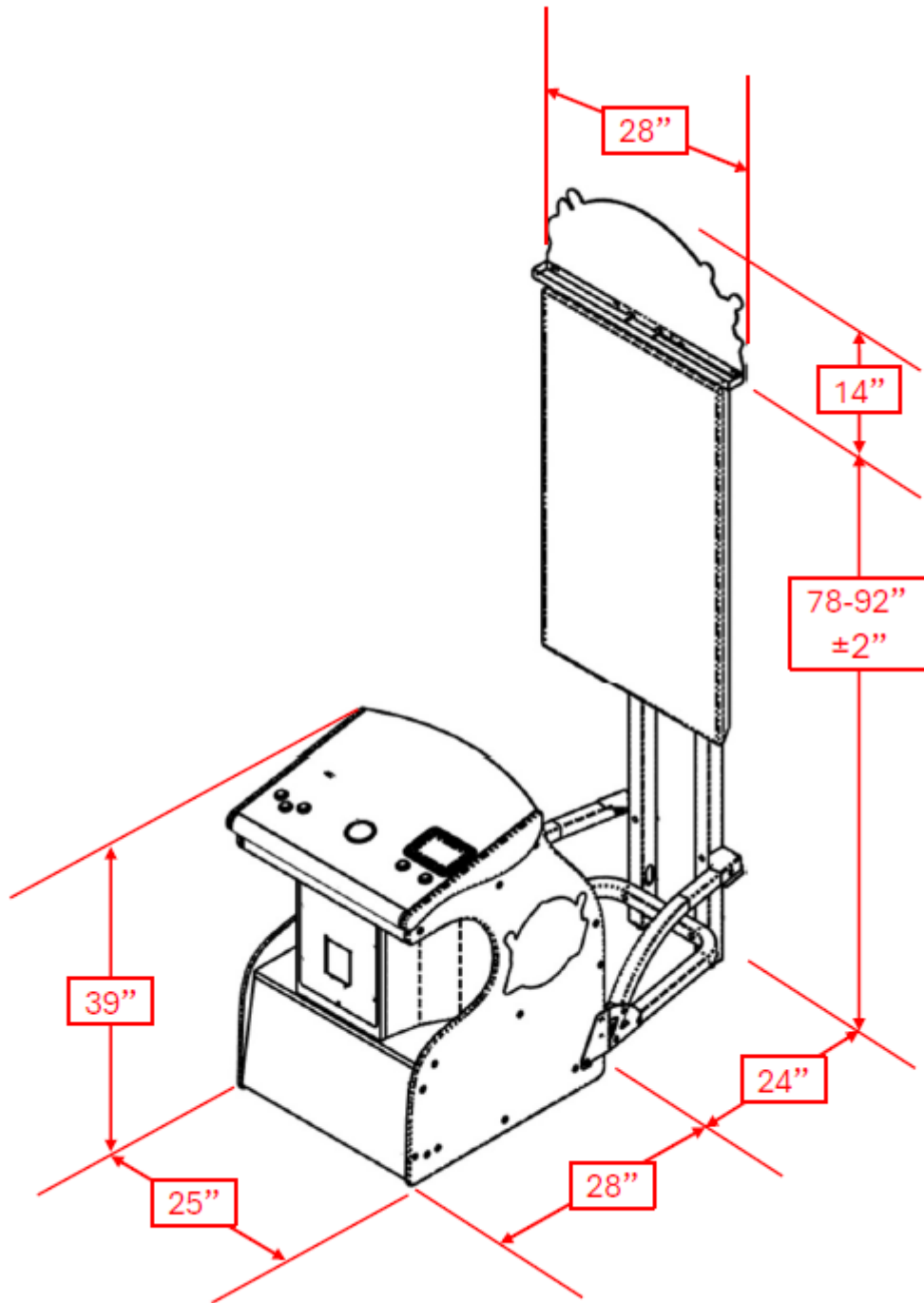
### Stand with 55-inch Monitor (Recommended)



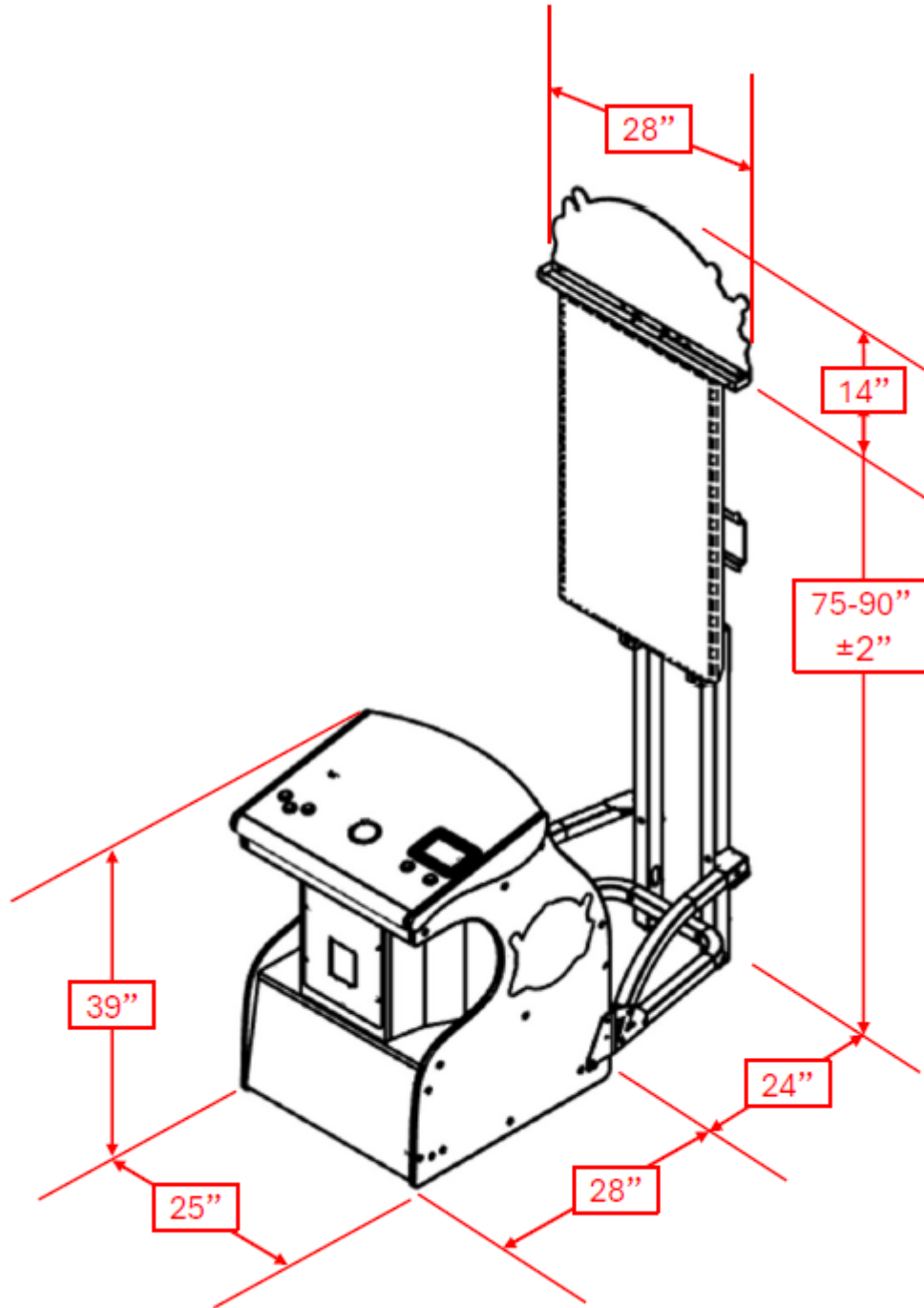
Stand with 65-inch Monitor



Stand with 50-inch Monitor



Stand with 43-inch Monitor



## MARQUEE ASSEMBLY



The lighted marquee adds an impressive display and high visibility to your game.

Assemble the marquee before attaching it to the 4K TV.

If attaching to a wall mount, leave enough space between the mounted TV and the wall to work comfortably while attaching the marquee and USB cable.

### Hardware Parts List

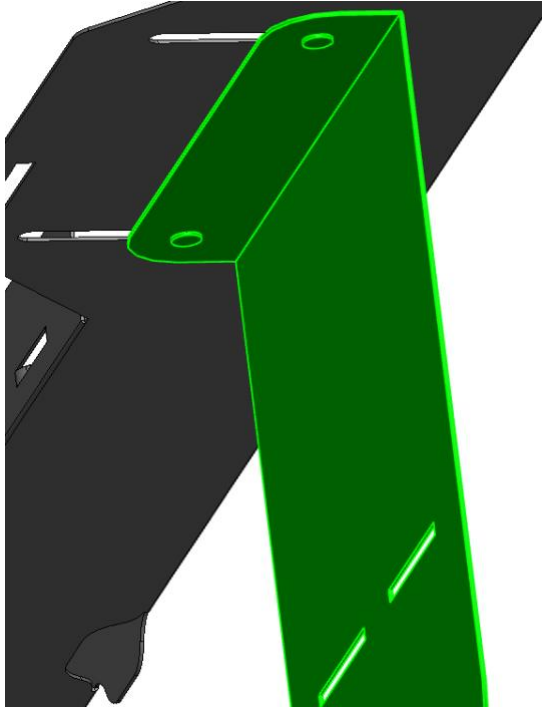
Item Number	Part Number	Item Description	Total Item Quantity
1	845392310	Marquee	1
2	752392312	Marquee Art Holder	1
3	752392313	Marquee Back Support	1
4	915392302	LED Light Strip – USB-A Cable	1
5	785000086	Flange Nut, 8-32	6
6	NA	Hook & loop Adhesive Strips, ½" wide, 24" long	1
7	NA	Hook & loop Adhesive Strips, 2" wide, 4" long	1
8	795000090	Wire Tie Wrap	3



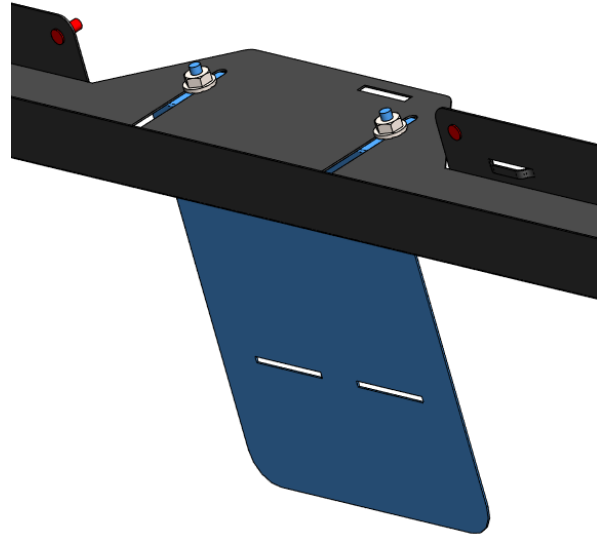
**Tools:** You will need a 11/32" deep socket and nut driver or a small wrench for the nuts.

### Attach Marquee Back Support

Use (2) Flange Nuts to loosely attach the Marquee Back Support to the underside of the Marquee Art Holder. The Marquee Back Support is adjustable to the width of the monitor. **Do not tighten yet.**



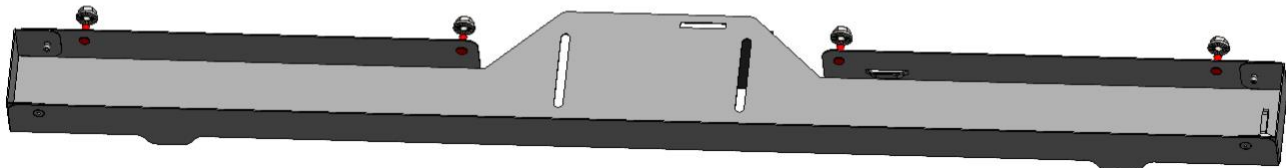
View from Below



View from Above

### Attach Marquee

Use (4) Flange Nuts to loosely attach the Marquee to the rear of the Marquee Art Holder. Tighten with a 11/32" deep socket and nut driver.

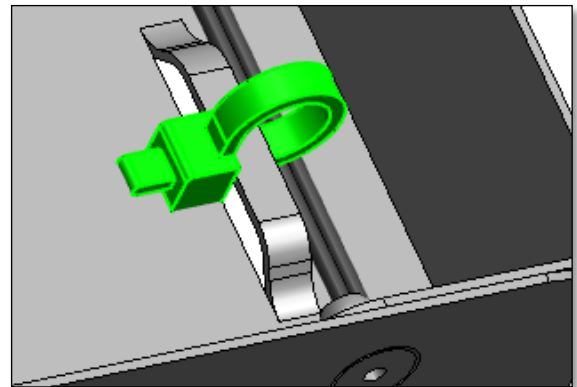
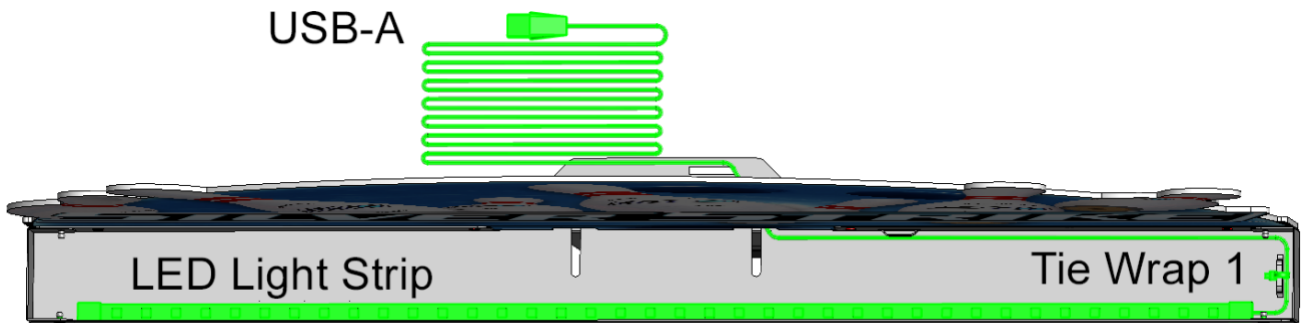


### Attach LED Light Strip and Tie Wrap 1

Remove the adhesive backing on the underside of the LED Light Strip. Carefully place the LED Light Strip at the front of the Marquee Art Holder as shown in the overhead view below, adhering the underside to the metal.

Guide the cable around the inside of the Marquee Art Holder and out the rear mouse hole on the Marquee.

Attach Tie Wrap 1 around the cable and through the raised tie holder at the side of the Marquee Art Holder.

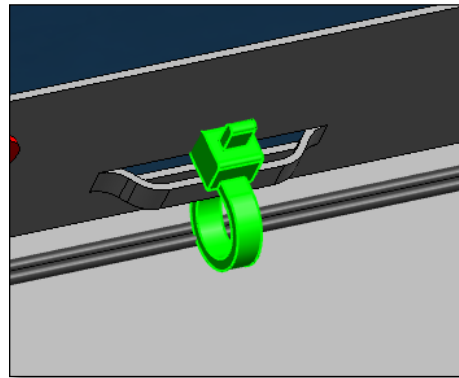
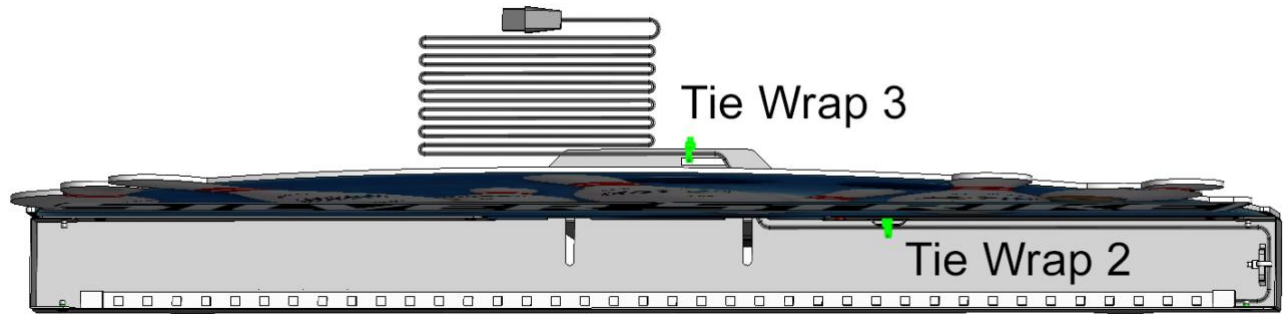


Tie Wrap 1

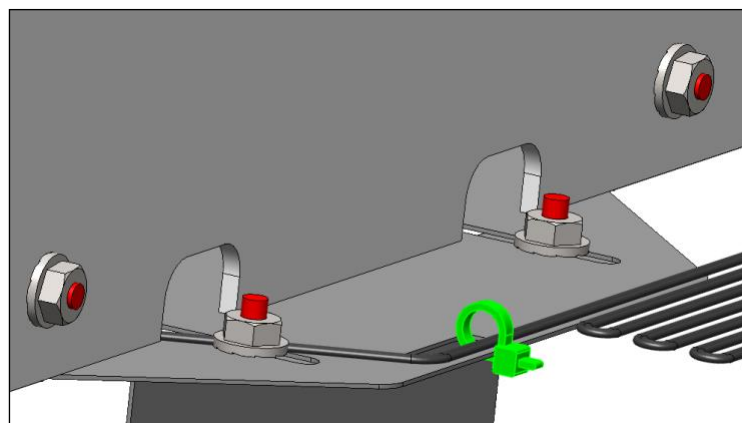
**Attach Wrap 2 & 3**

Attach Tie Wrap 2 through the raised clip holder and cable as shown in the overhead view below.

Attach Tie Wrap 3 at the rear of the Marquee Back Support, holding the LED Light Strip Cable in place at the slotted opening.



**Tie Wrap 2**



**Tie Wrap 3**

### Attach Adhesive Strips

Attach Adhesive Strips to the underside of the Marquee Art Holder and Marquee Back Support as shown below.



**Attach Marquee to 4K TV**

Slide the Marquee Back Support over the edge of the 4K TV. Adjust for the width of the TV so it is snug and tighten the Flange Nuts with an 11/32" deep socket and nut driver. Plug the USB-A Cable to the rear of the TV. The light will automatically power ON.

