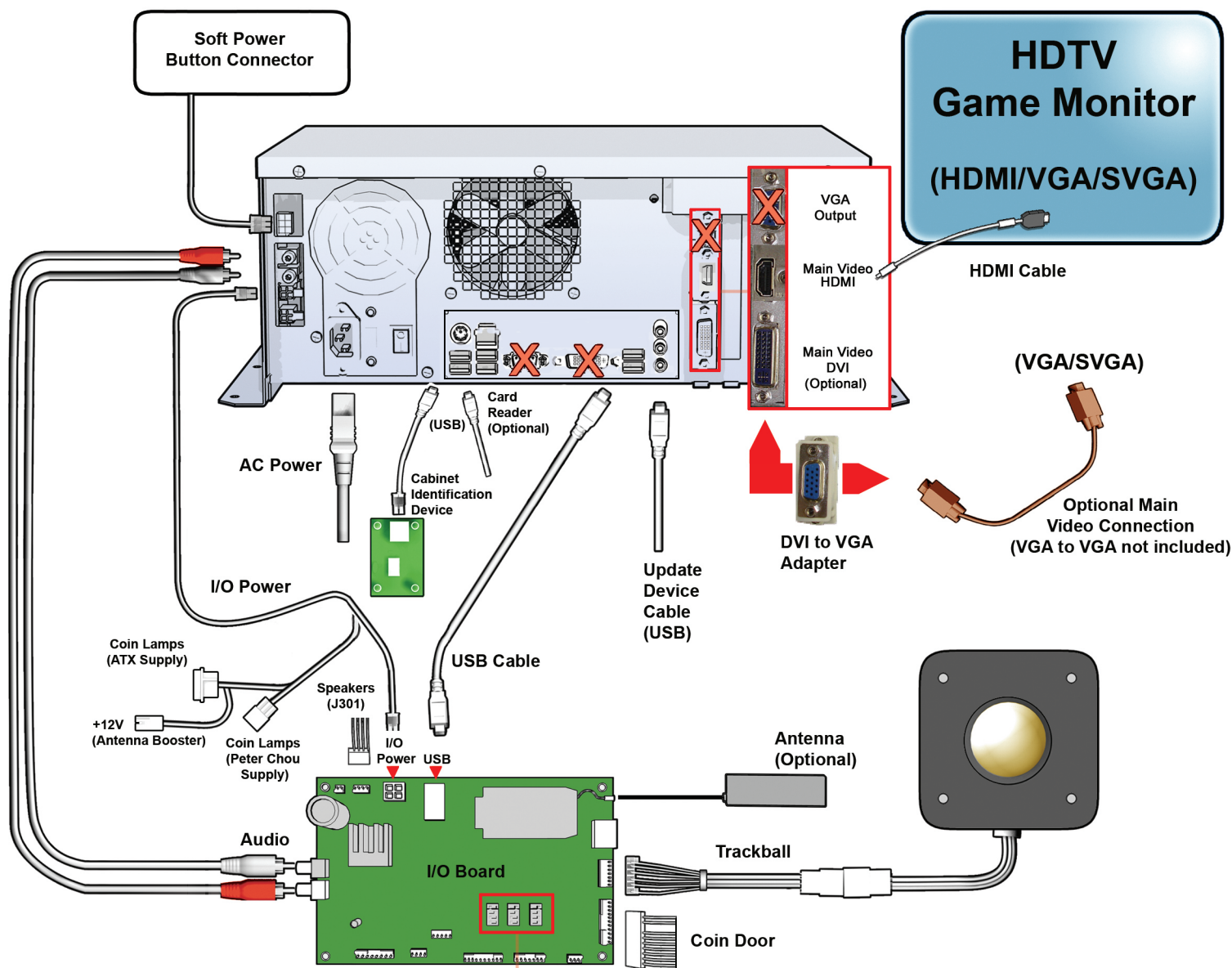


# KIT QUICK INSTALL CARD

REFER TO MANUAL FOR MORE INFORMATION



**HDTV Game Monitor**  
(HDMI/VGA/SVGA)

### RESOLUTION SETTINGS

<p>1 1280 x 720 (HDMI) 720p</p> <p>2 720p</p> <p>3 OFF ON</p> <p>4 DEFAULT</p>	<p>1 1280 x 720 (SVGA) 720p</p> <p>2 720p</p> <p>3 OFF ON</p> <p>4</p>
<p>1 1280 x 720 (DVI-D) 720p</p> <p>2 720p</p> <p>3 OFF ON</p> <p>4</p>	

Control Panel      Service Panel

<p><b>Sw201</b></p> <p>OFF ON</p>	<p><b>Sw200</b></p> <p>OFF ON</p>	<p><b>Sw202</b></p> <p>OFF ON</p>
-----------------------------------	-----------------------------------	-----------------------------------

Sw200 ALWAYS ON  
Do Not Change  
Settings shown for Showpiece

### ADDITIONAL SETTINGS

<p><b>Primary Monitor</b></p> <p>1 Primary Monitor has 16 x 9 Aspect Ratio</p> <p>2 720p</p> <p>3 OFF ON</p> <p>4 DEFAULT</p>	<p><b>System Setup</b></p> <p>1 Enter System Setup Menus</p> <p>2</p> <p>3 OFF ON</p> <p>4</p>
	<p>1 Exit System Setup Menus</p> <p>2 720p</p> <p>3 OFF ON</p> <p>4 DEFAULT</p>

Note: In the Additional Settings above, ONLY the ON switch matters for correct setup and operation.



CONTROL PANEL J203		
PIN	COLOR	FUNCTION GOLF
1		N.C.
2	BROWN / WHITE	LEFT
3		N.C.
4	YELLOW / WHITE	RIGHT
5		N.C.
6	BLACK	VOLUME GND
7		N.C.
8		N.C.
9	RED / WHITE	START/OPTIONS
10	BLACK	GROUND

SERVICE PANEL J206		
PIN	COLOR	FUNCTION
1	RED / BLACK	METER POWER
2	RED / GREEN	COIN METER
3	ORANGE / WHITE	VOLUME UP
4	ORANGE / YELLOW	VOLUME DOWN
5		N.C.
6	BLUE	TEST
7	BLACK	TEST GROUND

SPEAKERS J301		
PIN	COLOR	FUNCTION
1	YELLOW / RED	LEFT SPEAKER +
2	YELLOW / GREEN	LEFT SPEAKER -
3	WHITE / RED	RIGHT SPEAKER +
4	WHITE / GREEN	RIGHT SPEAKER -

I/O POWER CABLE PIN OUTS		
PIN	COLOR	FUNCTION
1	YELLOW	+12 VOLTS DC
2	BLACK	GROUND
3	RED	+5 VOLTS DC
4	BLACK	GROUND

TRACKBALL HARNESS	
I/O BOARD CONNECTOR	TRACKBALL CONNECTOR
PIN WIRE # 6 - BLACK	PIN WIRE # 1 - BLACK
PIN WIRE # 1 - RED	PIN WIRE # 2 - RED
PIN WIRE # 2 - YELLOW	PIN WIRE # 3 - YELLOW
PIN WIRE # 3 - GREEN	PIN WIRE # 4 - GREEN
PIN WIRE # 5 - BLUE	PIN WIRE # 5 - BLUE
PIN WIRE # 4 - PURPLE	PIN WIRE # 6 - PURPLE

COIN DOOR J205		
PIN	COLOR	FUNCTION
1		N.C.
2		N.C.
3		N.C.
4	BLACK	BILL GROUND
5	GREY / WHITE	BILL
6		N.C.
7		N.C.
8	GREEN / BLUE	COIN 2
9	RED / BLUE	COIN 1
10		N.C.
11	BLACK	COIN GROUND

**NOTE:** N.C. stands for No Connection

Detailed audio and video configuration information is available for all current products in the *Showpiece Cabinet A/V Connections Guide*. This information can be downloaded from the IT website.