



# Golden Tee PGA TOUR Clubhouse Edition Deluxe Stand Kit Install Guide

## CONTENTS

Contents.....	1
PGA Tour Cabinet Components.....	2
Leg Leveler Adjustment.....	2
Warnings and Notices.....	3
Deluxe Stand Install Guide.....	5
Deluxe Stand – Hardware Parts.....	6
1A – Tubing Assembly (Supports).....	7
1B – Tubing Assembly (Extensions).....	8
2 – Monitor Stand Brace.....	9
3 – Tubing Sub Assembly (Overview).....	10
3A – Tubing Sub Assembly (Mounting Brackets).....	11
3B – Tubing Sub Assembly (Upper Mounting Brackets).....	12
3C – Attach Sub Assembly to Assembly Extensions.....	13
3D – Sub Assembly (Lower Brace).....	14
4A – Marquee & Shroud (Front).....	15
4B – Marquee & Shroud (Rear).....	16
5 – Cable Feeds.....	17
6A – Monitor Hanging Brackets.....	18
6B – Monitor Mount Plate - Standard.....	19
6B – Monitor Mount Plate - Alternate.....	20
6B – Monitor Mount Plate - Long.....	21
6C – Hang Monitor.....	22
7 – Side Panel Assembly.....	23
8 – Center Cover Positioning.....	24
9 – Control Panel.....	25
Interior Cabinet Access.....	26
Video Connections for HDTV.....	27
System Box Connections.....	27
HDTV Connection And Power On.....	28
Dedicated Ethernet Setup.....	28
Dedicated Wifi Setup.....	29
Registration.....	30
Care and Cleaning.....	30

### NOTE

**PLEASE RETAIN ORIGINAL SHIPPING BOX FOR SERVICE AND REPAIR.  
Some game features will not be available if the unit is not properly registered to ITNet.**

# PGA TOUR CABINET COMPONENTS

## Golden Tee PGA TOUR Clubhouse Edition – Deluxe Stand

- (1) Pedestal Cabinet with Wi-Fi
- (1) Deluxe Stand Kit
- (1) Welcome Guide

### IMPORTANT

Please be aware that the “shroud,” aka the back panel with LED lighting that encases the television, was designed to spotlight a **55-inch TV**. It was also crafted with flexibility in mind, meaning any **55-inch, 4K resolution television** should fit into the unit quite nicely. The dimensions should accommodate all TVs this size.

The Golden Tee PGA TOUR Clubhouse Edition stand and bracket were designed to hold televisions weighing up to 77 pounds. The VESA bracketing is universal and should work with all major television brands.

**MAKE SURE YOUR HDTV IS 55” and 4K Resolution.**

Shipped inside a plastic parts bag attached to the front of the cabinet:

- (1) AC Power Cord for Pedestal Cabinet (10 Feet)
- (1) HDMI Cable (15 Feet)

Please register your game at <https://home.itsgames.com/games/golden-tee-pga-tour/registration/new>

**Want access to more features and game modes?** You can purchase a monthly or a yearly subscription to get your game online. You'll get access to online contests, exclusive game modes, special events and more. When you go online, you unlock your Golden Tee PGA TOUR's full potential.

### Online Subscription

To create a subscription for online play, please visit our website:

<https://store.itsgames.com/t/games/subscriptions>

### LEG LEVELER ADJUSTMENT

Once your game is in position at the location, it is necessary to adjust the leg levelers. The leg levelers will help stabilize the game on an uneven floor, and help it from moving or shifting during game play. The game is shipped with the two front and two rear leg levelers installed. Adjust the levelers as necessary to level and stabilize the game.

Use one ¾-inch open ended wrench and one 5/8-inch open ended wrench to adjust the leg levelers.

The ¾ inch nut must be cracked and loosened to allow the leveler to move up and down. Use the 5/8-inch wrench to hold the leveler in place while using the ¾-inch wrench to unlock the locking nut. After the locking nut is loosened, adjust the leg leveler to the desired position. Once the levelers are positioned so that the game is steady, lock the ¾-inch nut in place on any levelers that were adjusted.



**PLEASE DO NOT IGNORE THE ITIP.**

**THESE ARE IMPORTANT INSTRUCTIONS  
CALLED OUT WITH THE IT LOGO TO DRAW  
YOUR ATTENTION TO THEM.**

# WARNINGS AND NOTICES

## NOTICE

- This game is intended to be operated for amusement purposes only. It is not to be operated in violation of any federal, state, or local laws or regulations. As the owner and/or operator of this game you are responsible for its operation in compliance with such laws and regulations. The factory settings for this game may require adjustment to comply with the laws and/or regulations in the jurisdiction where the game is located. It is the sole responsibility of the operator to determine what laws and/or regulations are applicable and to make any adjustments to the game before operating it for its intended purpose.
- This guide and the information contained within is subject to change without notice.

## WARNING

- Use of unauthorized parts or making any unauthorized modifications will void the warranty and may result in the game operating in an unsafe or incorrect manner.
- If the supply cord is damaged, it must be replaced by a special cord or assembly available from the manufacturer or its service agent.
- This cabinet is not suitable for installation in an area where a water jet would be used. The cabinet must not be cleaned by a water jet.

## WARRANTY, REPAIR, AND RETURN POLICY

- 90-day warranty on all electronic components. All warranty periods begin on the date of purchase from Incredible Technologies, Inc.
- There is a minimum \$75.00 service charge for all non-warranty repairs or returns.
- For all servicing, return to Incredible Technologies, Inc.
- ANY non-factory repair or attempted repair voids warranty.

## RETURN MERCHANDISE AUTHORIZATION

- All returned merchandise must have a Return Merchandise Authorization (RMA) number marked clearly on the outside of the package.
- You must obtain all RMA numbers from Incredible Technologies. Please have the product's Cabinet Identification Device number available when calling for an RMA number.
- Merchandise returned without an RMA number will not be accepted.
- Warranty may be void if serial number or security labels are tampered with or removed. **Opening the System Box will void your warranty.**
- Advance replacement hardware will be shipped to the customer address on file unless specified otherwise.
- Advance replacement hardware will be billed to the customer until Incredible Technologies, Inc. receives the returned merchandise, at which time a credit will be issued.
- All repairs and/or replacements will ship as soon as possible after receipt or request (subject to availability).

## PAYMENT FOR AND STORAGE OF REPAIR MATERIALS

Materials sent to IT for repair must be paid for according to current price schedules and in a reasonable time. Storage fees for repaired equipment will be charged at a rate of \$50.00 (Fifty US Dollars) per calendar month or fraction thereof after 90 (Ninety) days from notice to the customer that the repairs are complete. IT reserves the right to resell repaired equipment to cover accumulated storage charges when the accumulated storage charge reaches 100% (One Hundred Percent) of the repaired items' then-current replacement cost.

- Read these instructions
- Keep these instructions
- Heed all warnings
- Follow all instructions
- Do not use this apparatus near water
- Clean only with dry cloth
- Do not block any ventilation openings.
- Do not install near any heat sources such as radiators, heat registers, stoves, or other apparatus (including amplifiers) that produce heat
- Do not defeat the safety purpose of the polarized or grounding-type plug. A polarized plug has two blades with one wider than the other. A grounding type plug has two blades and a third grounding prong. The wide blade or the third prong are provided for your safety. If the provided plug does not fit into your outlet, consult an electrician for replacement of the obsolete outlet.
- Protect the power cord from being walked on or pinched particularly at plugs, convenience receptacles, and the point where they exit from the apparatus.
- Only use attachments/accessories specified by the manufacturer.
- Unplug this apparatus during lightning storms or when unused for long periods of time.
- Refer all servicing to qualified service personnel. Servicing is required when the apparatus has been damaged in any way, such as power-supply cord or plug is damaged, liquid has been spilled or objects have fallen into the apparatus, the apparatus has been exposed to rain or moisture, does not operate normally, or has been dropped.

DO NOT expose the apparatus to dripping and splashing. DO NOT put objects filled with liquids, such as vases on the apparatus.

### **CAUTION**

The motherboard is provided with a replaceable lithium battery. There is a danger of explosion if a battery is incorrectly replaced. Replace the battery only with the same or equivalent type.

### **WARNING**

- To reduce the risk of fire or electric shock, do not expose this apparatus to rain or moisture.
- The apparatus shall be connected to a mains socket outlet with a protective earthing connection. Substitute cords may not provide adequate fault protection. Only use the power cord supplied with this product or an Incredible Technologies, Inc. authorized replacement.
- The mains plug or an appliance coupler must remain readily operable.
- Use of unauthorized parts or making any unauthorized modifications will void the warranty and may result in the game operating in an unsafe or incorrect manner.
- This Pedestal Cabinet is not suitable for installation in an area where a water jet would be used. The cabinet must not be cleaned by a water jet.

## DELUXE STAND INSTALL GUIDE

The Deluxe Stand makes your Golden Tee PGA TOUR Edition rise above the competition. It has been designed to be quickly assembled with minimal tools. An adjustable wrench, a 4mm Allen wrench and a Phillips head screwdriver will be helpful to tighten the nuts and screws.



## DELUXE STAND – HARDWARE PARTS

This page includes the hardware parts needed to assemble the Deluxe Stand. The individual steps of the procedure identify the other parts needed. Images of the hardware are also included with the steps for reference. Count the bolts, screws and washers listed here to make sure they are all included.

### Hardware Parts List

Item Number	Part Number	Item Description	Total Item Quantity
14	775000310	1/4-20 CONNECTOR BOLT (BLACK)	9
15	780000115	8-32 HEX PHILLIPS SCREW (ZINC)	18
16	780000751	5/16-18 PHILLIPS PAN SCREW (ZINC)	5
17	785000085	8-32 HEX KEPS NUT (ZINC)	8
18	785000700	1/4-20 ACORN HEX NUT (BLACK)	20
19	790000030	1/4" FLAT WASHER (ZINC)	6
20	790000075	#8 FLAT WASHER (BLACK)	6



1/4-20 CONNECTOR BOLT  
(BLACK)



8-32 HEX PHILLIPS SCREW  
(ZINC)



5/16-18 PHILLIPS PAN SCREW  
(ZINC/BLACK)



8-32 HEX KEPS NUT (ZINC)



1/4-20 ACORN HEX NUT (BLACK)



1/4" FLAT WASHER (ZINC)

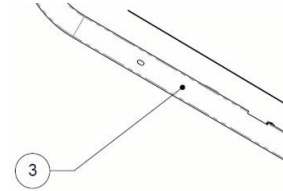


#8 FLAT WASHER (BLACK)

# 1A – TUBING ASSEMBLY (SUPPORTS)

Before starting, check the Hardware Parts List on the previous page to make sure all necessary items have been included for proper assembly.

- Each part has an **Item Number** matching the circled number 3 on the diagrams. In each step the Item Number is listed after the item in *italics*.

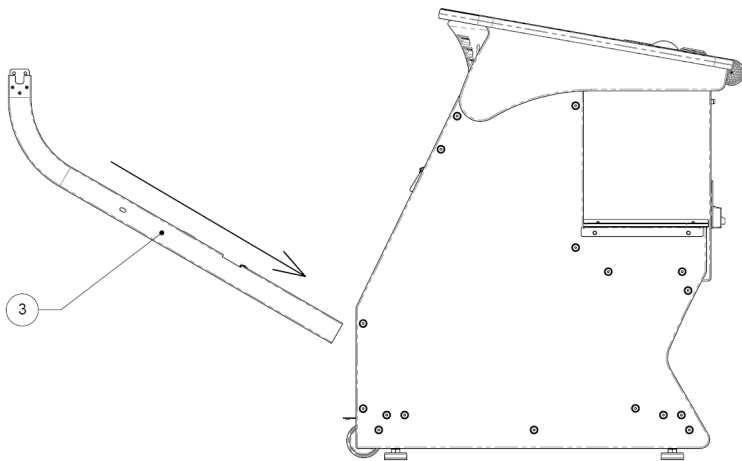


Item Number	Part Number	Item Description	Item Quantity
3	752365024	TUBING SUPPORT	2

- Slide each **Tubing Support** *Item 3* into the square-shaped slots on the lower left and right sides on the rear of the Pedestal Cabinet. (The rear of the cabinet is the angled side.)

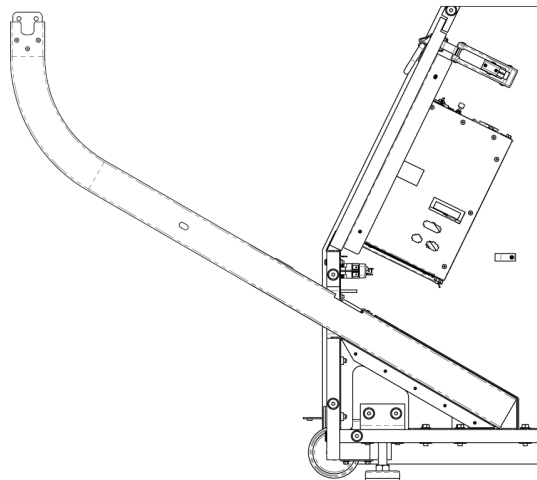


SLIDE EACH TUBING SUPPORT TO BOTTOM OF SLOT UNTIL IT CANNOT SLIDE FURTHER



**Pedestal – Side View**  
(Slide Tubing Supports into Slots on Pedestal)

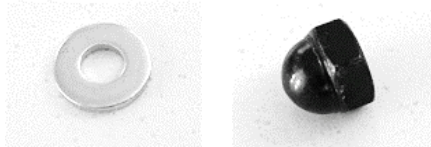
**Pedestal – Side View**  
(Tubing Supports Installed)



## 1B – TUBING ASSEMBLY (EXTENSIONS)

Item Number	Part Number	Item Description	Item Quantity
2	752365023	TUBING EXTENSIONS	2
18	785000700	1/4-20 ACORN HEX NUT (BLACK)	4
19	790000030	1/4" FLAT WASHER (ZINC)	4

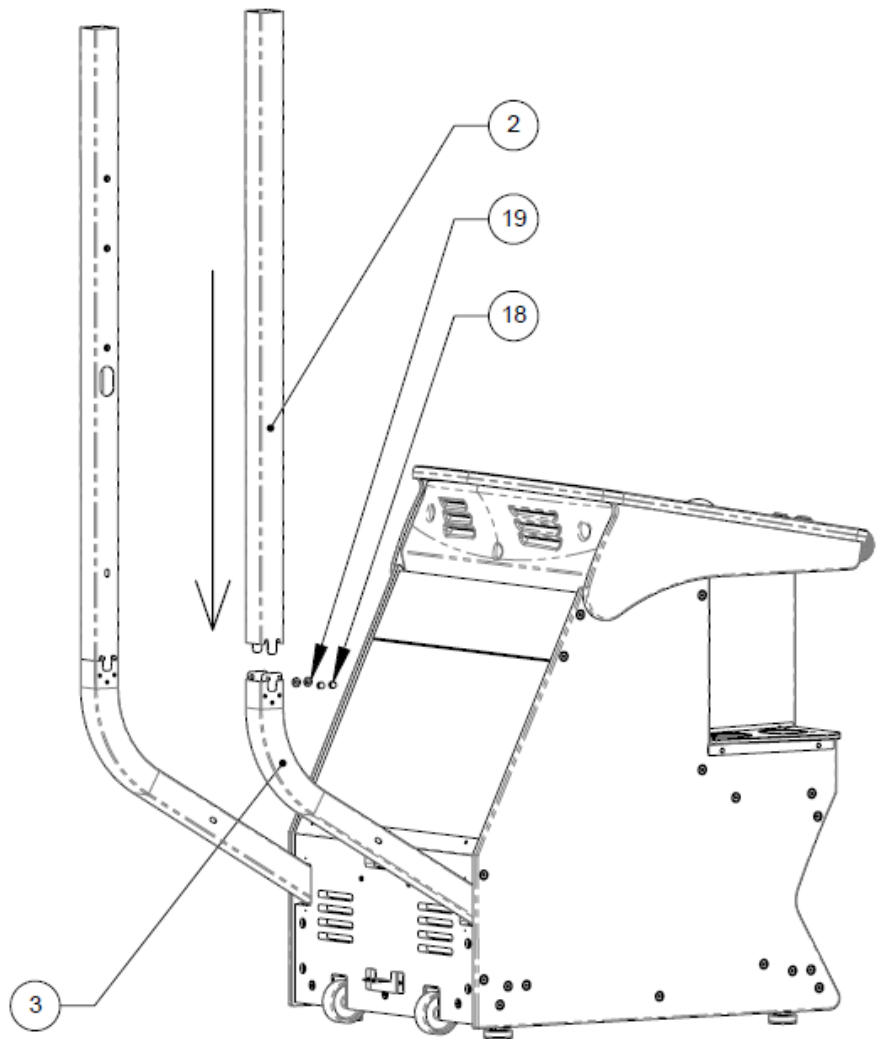
1. Slide (1) **Tubing Extension** *Item 2* into each Tubing Support. Make sure the OVAL CABLE PASS THROUGHES of the Tubing Extensions FACE INWARD. See Pedestal – Rear Side View diagram.
2. Fasten (2) **Zinc Washers** *Item 19* and (2) **Acorn Hex Nuts** *Item 18* on the OUTER SIDE ONLY of each Tubing Extension.



OVAL CABLE PASS THROUGHES ON TUBING EXTENSIONS MUST FACE INWARD TOWARD CENTER



BE SURE TO USE WASHERS WITH ACORN HEX NUTS ON THE OUTSIDE OF TUBING EXTENSIONS



**Pedestal – Rear Side View**  
(Slide Tubing Extensions into Tubing Supports)



## 2 – MONITOR STAND BRACE

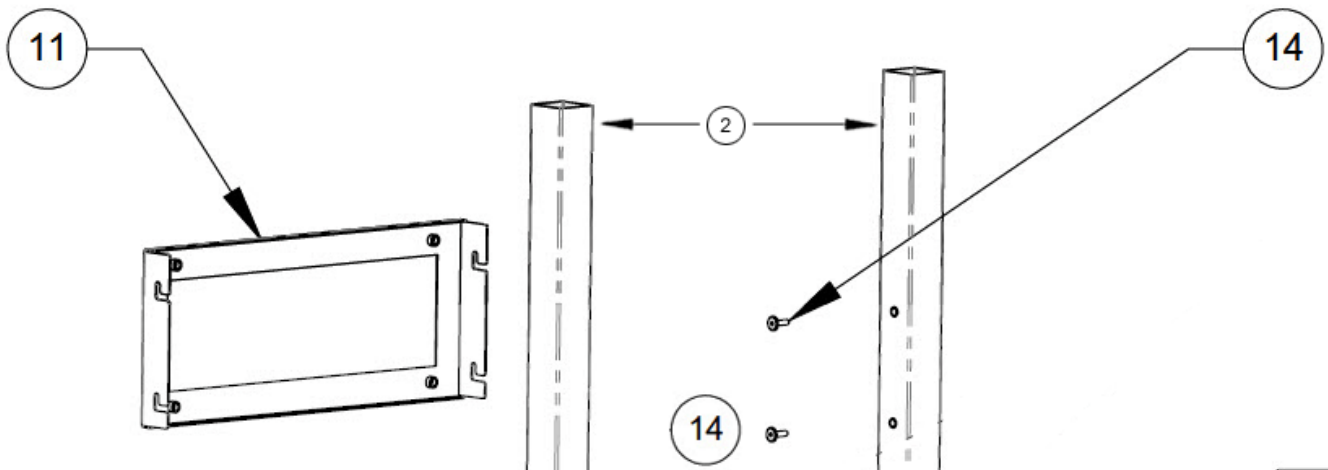
Item Number	Part Number	Item Description	Item Quantity
11	752365040	MONITOR STAND BRACE (4 HOLE)	1
11A	752365057	MONITOR STAND BRACE (6 HOLE)	1
14	775000310	¼ -20 CONNECTOR BOLT (BLACK)	4

**NOTE:** You will have a **4-hole Monitor Stand Brace** or a **6-hole Monitor Stand Brace**. The 4-hole Monitor Stand Brace will need two extra Offset Brackets later in the procedure (6B – Monitor Mount Plate).

1. Attach (4) ¼-20 **Connector Bolts** *Item 14* LOOSELY to the two holes at the top of each Tubing Extension. Leave at least a 1/8" gap.
2. Hang **Monitor Stand Brace** *Item 11* on the Bolts, making sure it is fully seated. See Monitor Stand Brace diagram.
3. Tighten the four Connector Bolts on both sides of the Monitor Stand Brace.



FLUSH SIDE OF MONITOR  
STAND BRACE FACES  
TOWARD PEDESTAL



**Monitor Stand Brace** (Attach with Connector Bolts)

### 3 – TUBING SUB ASSEMBLY (OVERVIEW)

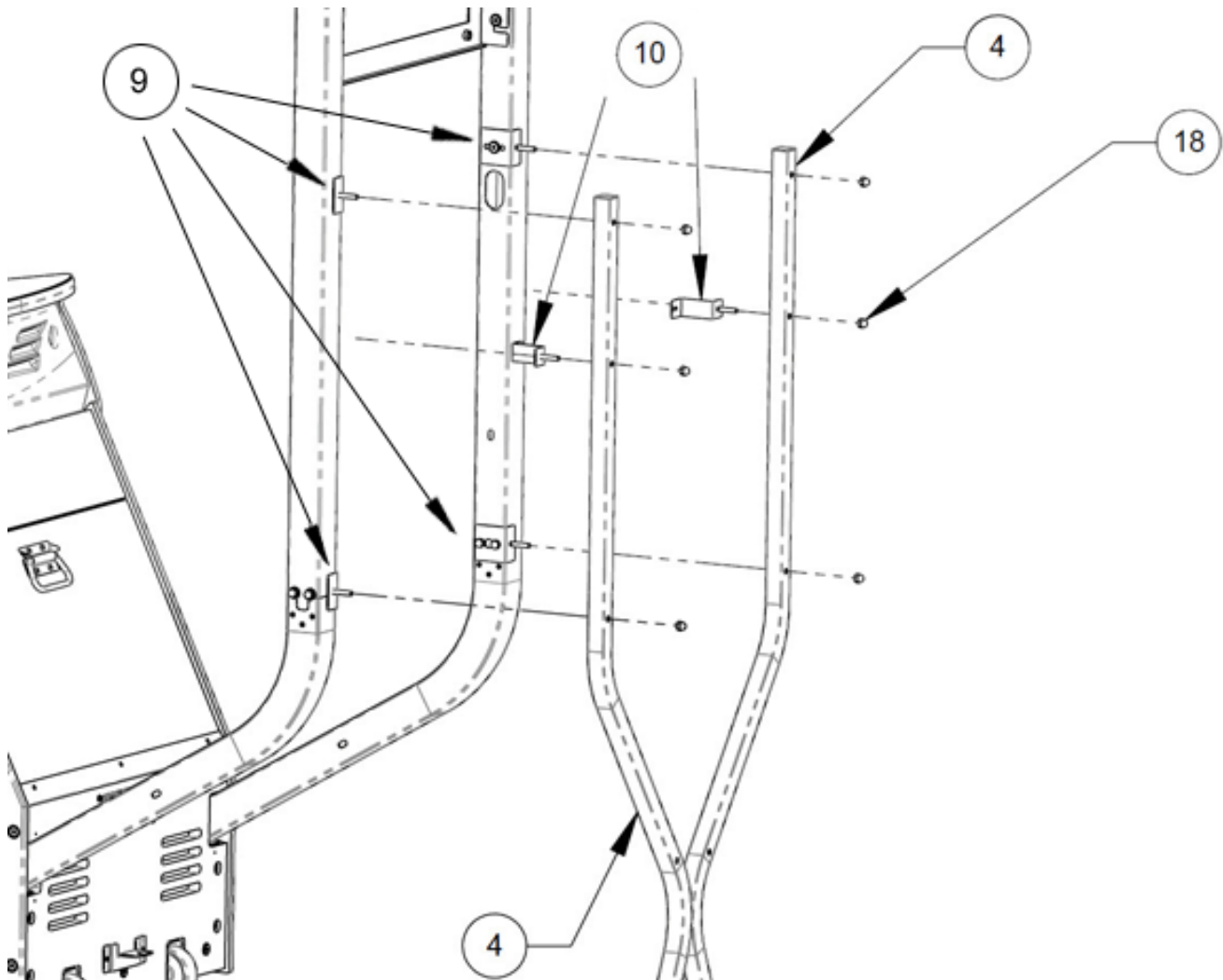
#### IMPORTANT!!

On the following pages you will attach a Tubing Sub Assembly to the outward side (facing away from the pedestal) of the Tubing Assembly already attached to the Pedestal. The first step is to attach Mounting Brackets to the Tubing Assembly to hold the Sub Assembly in place. In the diagram below look closely at *Items 9 and 10*. They look similar, but they have different purposes.

The (4) Mounting Brackets *Item 9* that attach to the Assembly hold the Sub Assembly in place.

The (2) Upper Mounting Brackets *Item 10* attach to the Sub Assembly and eventually hold the Shroud in place (4B Marquee & Shroud). The S-shaped Upper Mounting Brackets attach at the second hole from the top of the Tubing Sub Assembly.

**Carefully examine the diagram below before proceeding.**



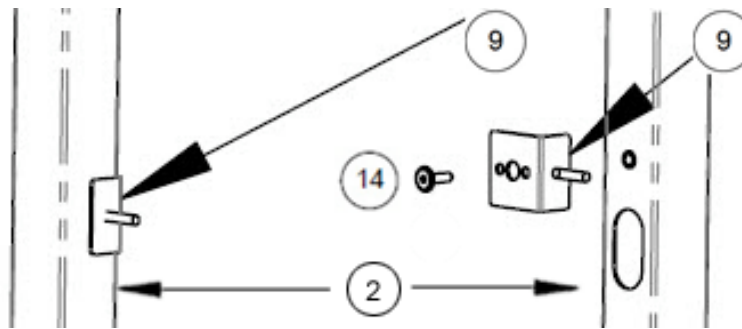
### 3A – TUBING SUB ASSEMBLY (MOUNTING BRACKETS)

Item Number	Part Number	Item Description	Item Quantity
9	752365038	MOUNTING BRACKET	4
18	785000700	1/4-20 ACORN HEX NUT (BLACK)	4
14	775000310	1/4-20 CONNECTOR BOLT (BLACK)	2

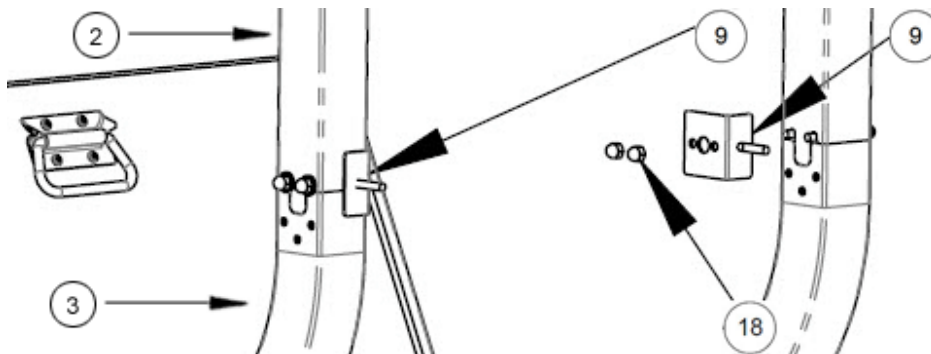
- Slide (2) **Mounting Brackets – Upper Position** *Item 9* into the hole above the Oval Cable Pass Throughs in each Tubing Extension. Attach with (2) **Connector Bolts** *Item 14*. See Mounting Brackets – Upper Position diagram.
- Fasten (2) **Mounting Brackets** *Item 9* to the inside of the Tubing Extensions where they attach to the Tubing Supports using (2) **Acorn Hex Nuts** *Item 18* on each side. See Mounting Brackets – Lower Position diagram.



PEMS ON MOUNTING BRACKETS  
FACE AWAY FROM PEDESTAL



**Mounting Brackets – Upper Position**  
(Attach with CONNECTOR BOLTS)

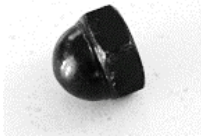


**Mounting Brackets – Lower Position**  
(Attach with ACORN HEX NUTS)

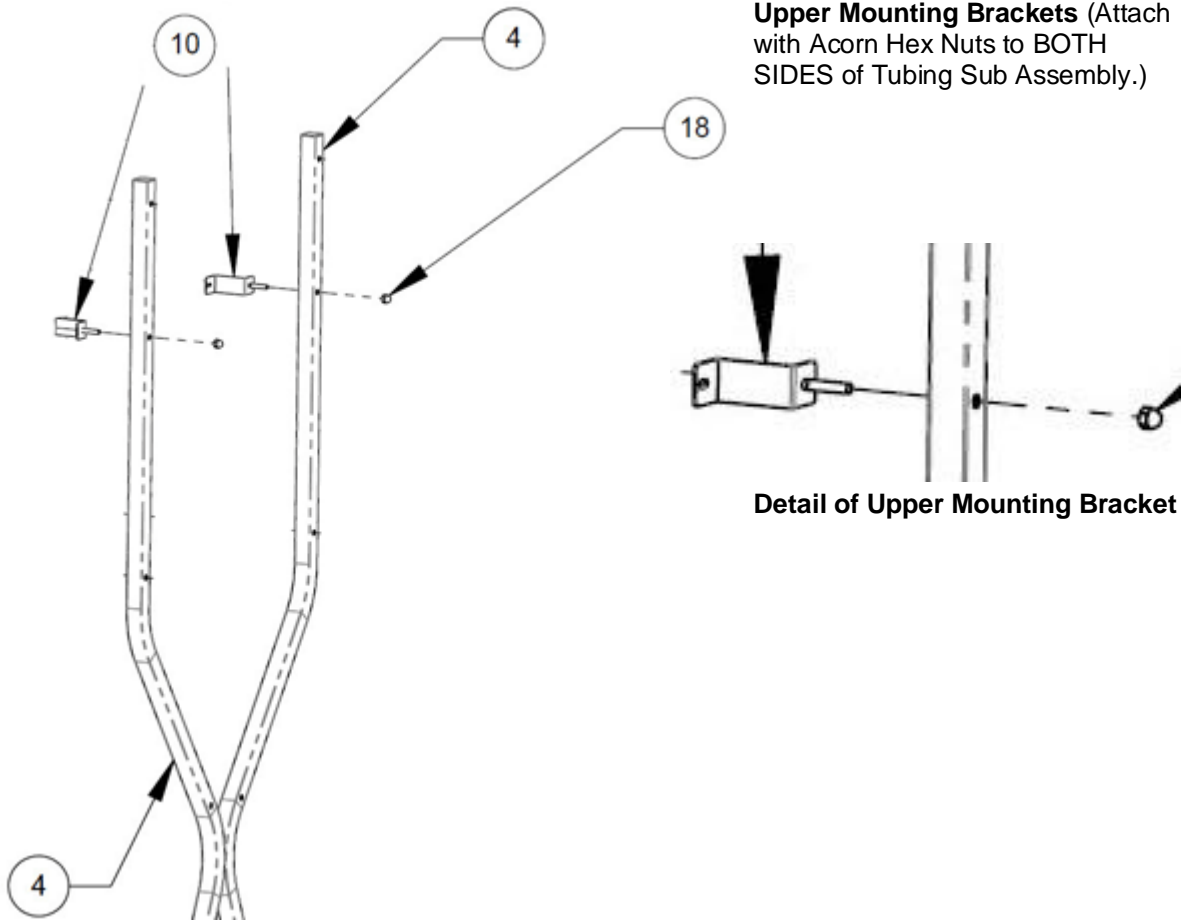
### 3B – TUBING SUB ASSEMBLY (UPPER MOUNTING BRACKETS)

Item Number	Part Number	Item Description	Item Quantity
4	900365065	TUBING SUB ASSEMBLY	1
10	752365039	UPPER MOUNTING BRACKET	2
18	785000700	1/4-20 ACORN HEX NUT (BLACK)	2

- Slide the PEM on the S-shaped **Upper Mounting Bracket** *Item 10* through the Sub Assembly *Item 4*. **Use second pre-drilled hole from top.** See Upper Mounting Brackets diagram.
- Do the same on the opposite support. Secure with (2) **Acorn Hex Nuts** *Item 18* (one on each side).



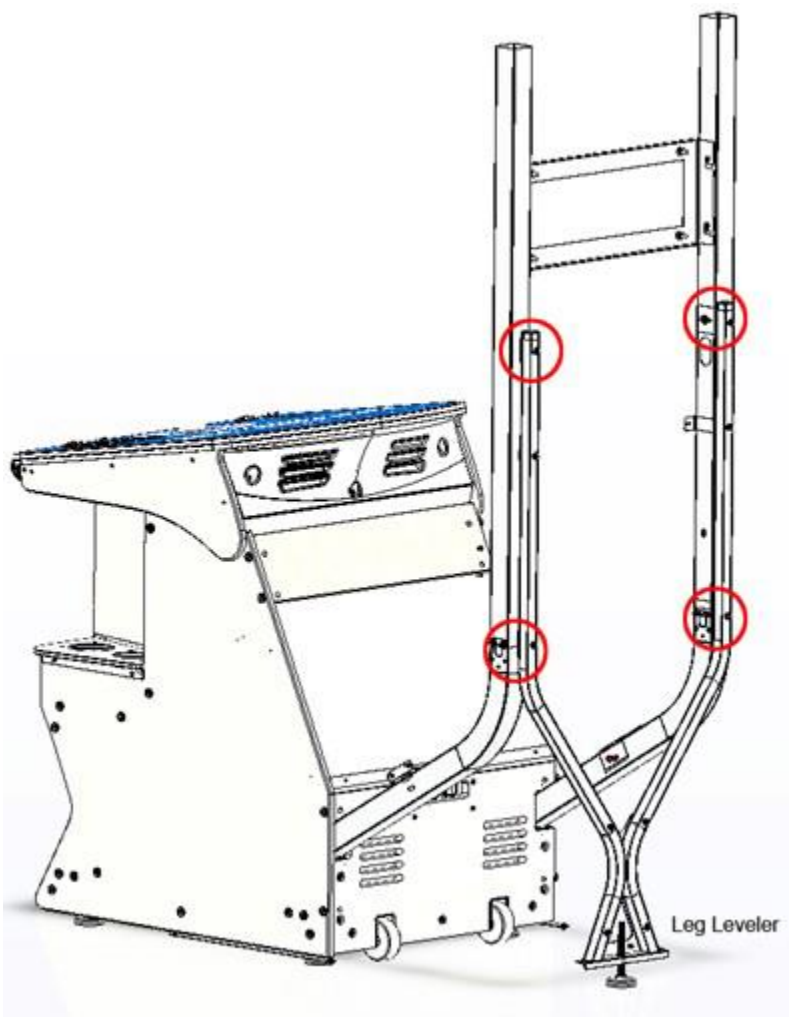
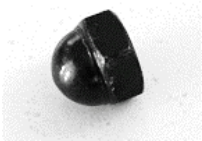
UPPER MOUNTING BRACKETS FACE INWARD TOWARD PEDESTAL AND CENTER



### 3C – ATTACH SUB ASSEMBLY TO ASSEMBLY EXTENSIONS

Item Number	Part Number	Item Description	Item Quantity
4	900365065	TUBING SUB ASSEMBLY	1
18	785000700	1/4-20 ACORN HEX NUT (BLACK)	4

- Slide the Tubing Sub Assembly onto the PEMs of the Mounting Brackets already attached to the Assembly Extensions (3A Tubing Sub Assembly Mounting Brackets).
- Secure with (4) **Acorn Hex Nuts** *Item 18* (two on each side).



**Sub Assembly to Tubing Assembly Extensions** (Attach Sub Assembly to Tubing Assembly Extensions with (4) Acorn Hex Nuts)

**NOTE:** The Upper Mounting Brackets on the Sub Assembly (between red circles in image at left) face inward but do not attach to anything yet.

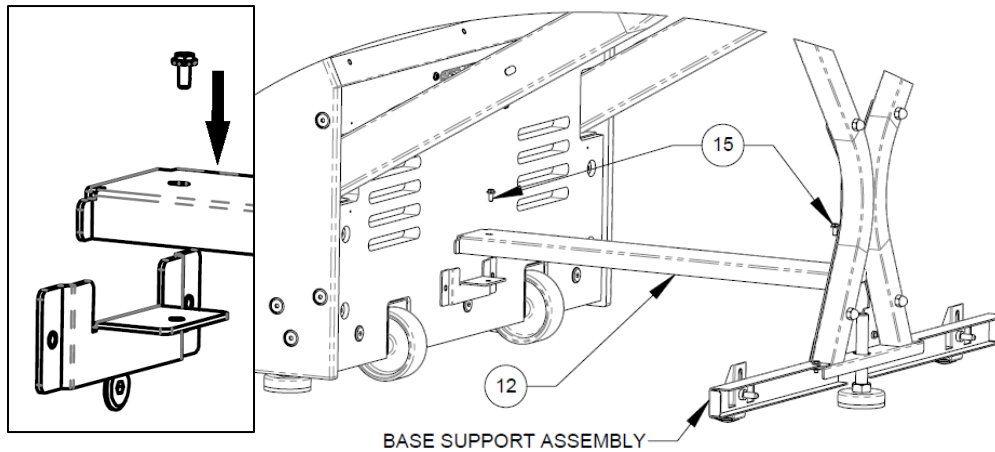
### 3D – SUB ASSEMBLY (LOWER BRACE)

Item Number	Part Number	Item Description	Item Quantity
4	900365065	TUBING SUB ASSEMBLY	1
15	780000115	8-32 HEX PHILLIPS SCREW (ZINC)	2
12	752365049	LOWER BRACE	1

1. Place **Lower Brace** *Item 12* over the brackets on the rear of the Pedestal Cabinet and Base Support Assembly. The Lower Brace should be snug, and the holes aligned. See Lower Brace diagram.
2. Insert (2) **Hex Phillips Screws** *Item 15* through the holes on each end of the Lower Brace and tighten.
3. Adjust Leg Leveler at the bottom of the Tubing Sub Assembly.



ADJUST LEG LEVELER TO MAKE SURE SUB ASSEMBLY IS LEVEL BEFORE HANGING SHROUD AND MONITOR

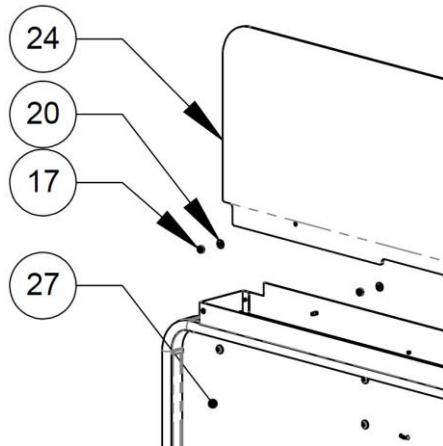
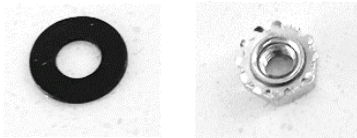


**Lower Brace**

## 4A – MARQUEE & SHROUD (FRONT)

Item Number	Part Number	Item Description	Item Quantity
27	900365050	PGA MONITOR SHROUD	1
24	845365001	PGA TOUR MARQUEE	1
20	790000075	#8 FLAT WASHER (BLACK)	4
17	785000085	8-32 HEX KEPS NUT	4

1. Make sure the **PGA TOUR Marquee** *Item 24* is on the front side of the **PGA Monitor Shroud** *Item 27*.
2. Slide the Marquee onto the PEM studs inside the top of the Monitor Shroud.
3. Fasten the Marquee to the Shroud using (4) **#8 Flat Washers** *Item 20* and (4) **8-32 Hex Keys Nuts** *Item 17* on each of the four PEMs across the top of the Monitor Shroud. See Marquee and Shroud – Front View diagram.
4. With an assistant (if necessary) carefully lift the Shroud into position so the holes on the bottom of the Shroud align with the Upper Mounting Brackets.



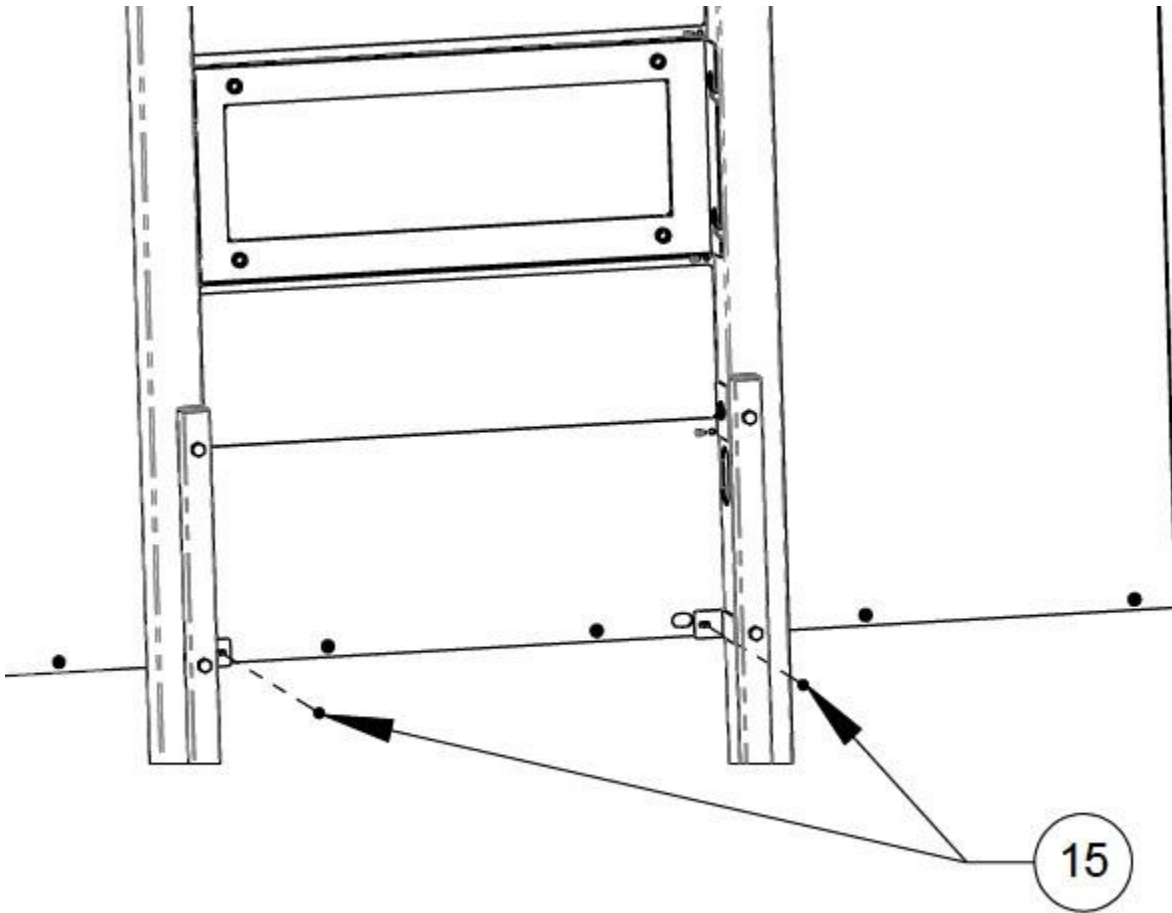
Marquee and Shroud – Front View



## 4B – MARQUEE & SHROUD (REAR)

Item Number	Part Number	Item Description	Item Quantity
15	780000115	8-32 HEX PHILLIPS SCREW (ZINC)	2

1. On the rear of the Shroud, use (2) **8-32 Hex Phillips Screws** *Item 15* to attach the Shroud to the Upper Mounting Brackets *Item 10*. See Marquee and Shroud – Rear View diagram.



Marquee and Shroud – Rear View



## 5 – CABLE FEEDS

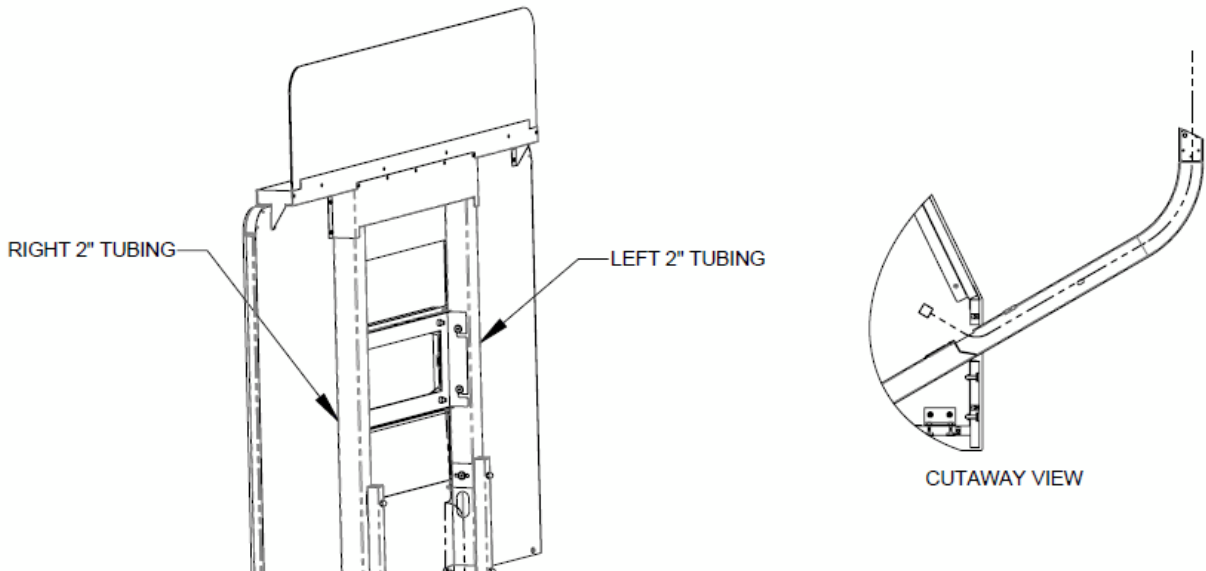
Item Number	Part Number	Item Description	Item Quantity
N/A	915415400R	HDMI CABLE	1
N/A	915365111	12V CABLE (SHROUD)	1

BEFORE STARTING, BE SURE TO SMOOTH OUT ANY KINKS IN THE CABLES SO IT IS EASIER TO FEED THEM THROUGH THE TUBING.

1. On the left side (facing Marquee front) feed the 12V Cable through the oval cable pass through and into the cabinet. Inside the cabinet, connect the 4-pin side of the 12V connector to the yellow and black wire harness labeled Marquee 12V.
2. On the right side (facing Marquee front) feed the 15' HDMI Cable through the oval cable pass through and into the cabinet. Inside the cabinet, connect the HDMI Cable to the HDMI output on the system box. See [System Box Connections](#) (page 27). Leave the Monitor end of the HDMI Cable Loose and out of the way until the monitor is mounted.



TWIST CABLES AS YOU FEED TO EASE MOVEMENT



# 6A – MONITOR HANGING BRACKETS

Item Number	Part Number	Item Description	Item Quantity
22	795368001	STANDARD MOUNTING DREAM KIT (HANGING BRACKETS)	1
22A	795365003	ALTERNATE MOUNTING DREAM KIT (HANGING BRACKETS)	1
22L	795365004	LONG MOUNTING DREAM KIT (HANGING BRACKETS)	1

**NOTE:** You will have one of the following Kits: **Standard Mounting Dream Kit, Alternate Mounting Dream Kit, or Long Mounting Dream Kit.**

## MONITOR MOUNTING 3-STEP INSTALLATION

- A. ATTACH HANGING BRACKETS TO MONITOR
- B. ATTACH MOUNT PLATE TO SHROUD
- C. HANG MONITOR ON MOUNT PLATE

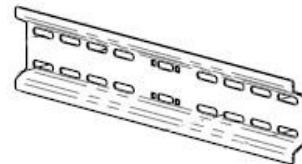
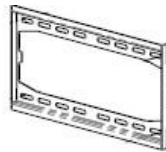
Locate the four threaded holes on the back of the 55" monitor. **Using the bolts in pouch C**, attach (2) Hanging Brackets to the rear of the 55" monitor. The quick release spring clips are on the bottom.

## IDENTIFY YOUR KIT BY THE STYLE OF MOUNT PLATE:

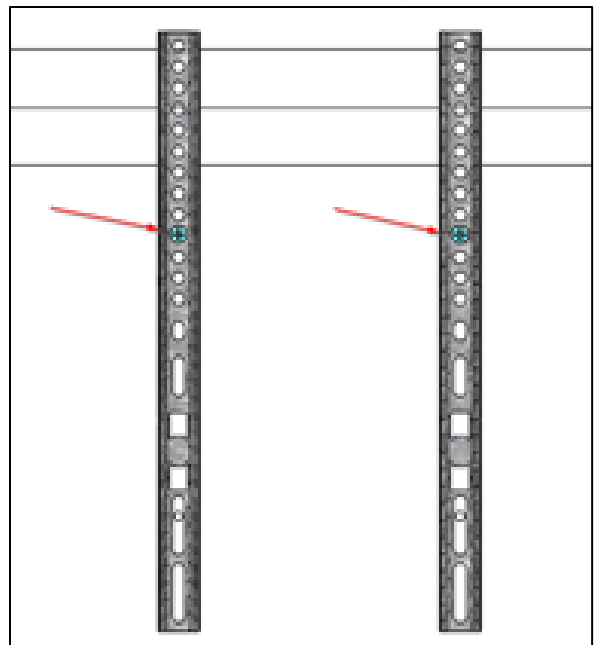


OVAL SHAPED (STANDARD) MOUNT PLATE, THEN MOUNT HANGING BRACKETS IN HOLE 5 FROM TOP.

HORIZONTAL C (ALTERNATE/LONG) MOUNT PLATE, THEN MOUNT HANGING BRACKETS IN HOLE 10 FROM TOP.



**Oval Shaped (Standard)**

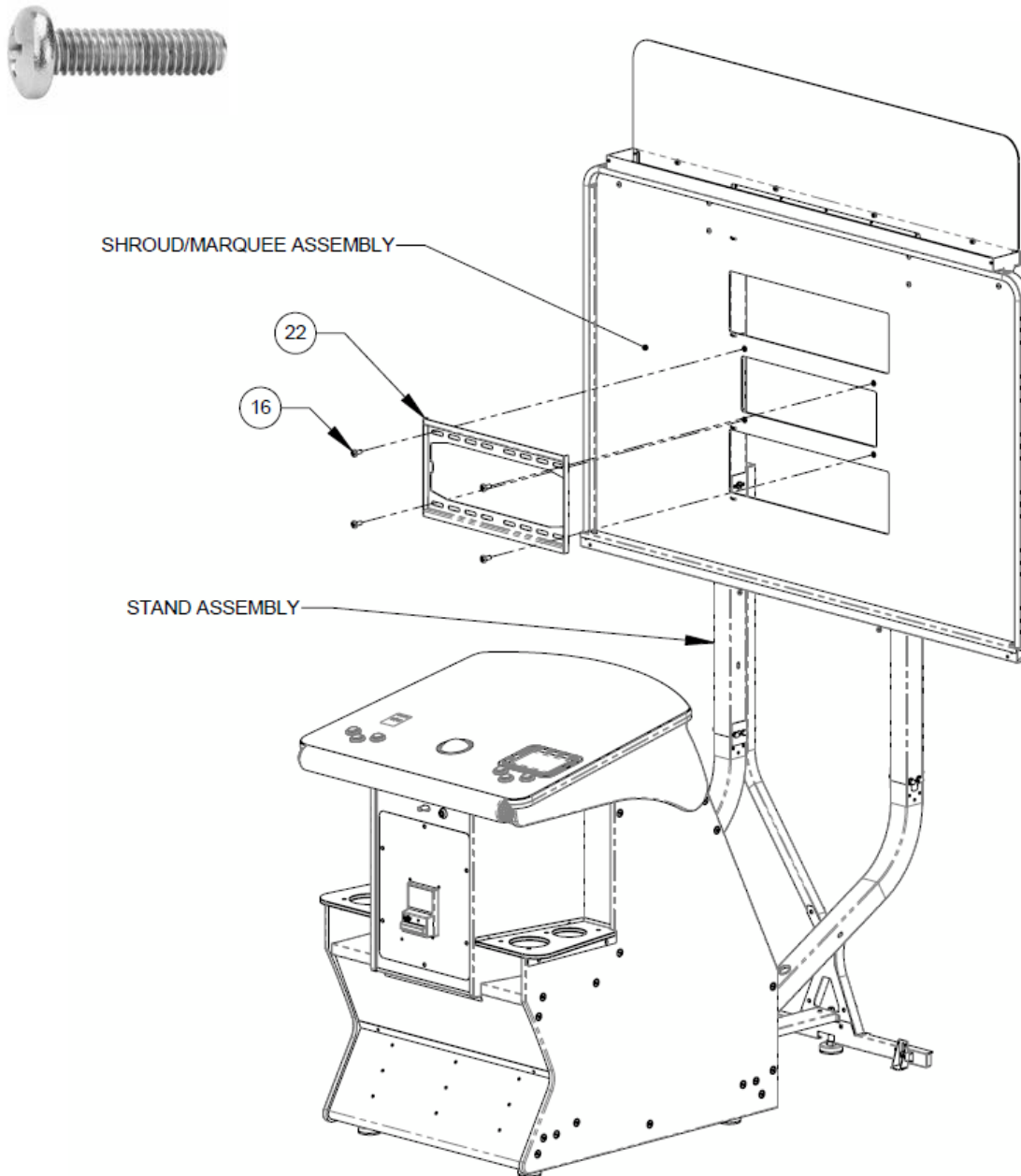


**Horizontal C (Alternate/Long)**

## 6B – MONITOR MOUNT PLATE - STANDARD

Item Number	Part Number	Item Description	Item Quantity
22	795368001	STANDARD MOUNTING DREAM KIT (MOUNT PLATE)	1
16	780000751	5/16-18 PHILLIPS PAN SCREW (ZINC/BLACK)	4

1. Hold the Mount Plate over the middle cut out on the front of the shroud. Align the Monitor Mount so the four pre-drilled holes in the Shroud align with the four outside edge openings on the Mount. See diagram.
2. Using (4) **5/16-18 Phillips Zinc Pan Screws** *Item 16* attach the Mount to the front of the Shroud.



## 6B – MONITOR MOUNT PLATE - ALTERNATE

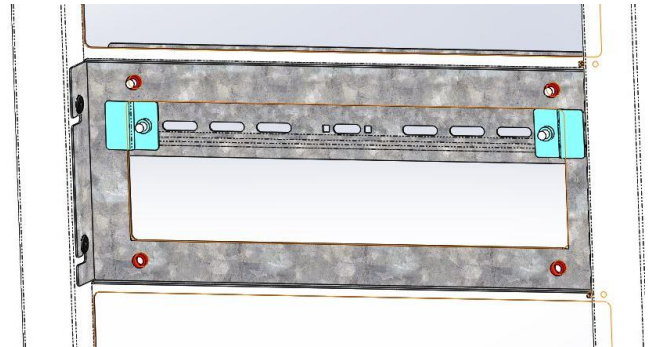
Item Number	Part Number	Item Description	Item Quantity
22A	795365003	ALTERNATE MOUNTING DREAM KIT (MOUNT PLATE A)	1
16	780000751	5/16-18 PHILLIPS PAN SCREW (ZINC/BLACK)	4
11B	752365056	OFFSET BRACKET (Use with 4-hole Monitor Stand Brace)	2

**NOTE:** ONLY DO STEPS 3-4 IF YOU HAVE A **4-HOLE** MONITOR STAND BRACE.

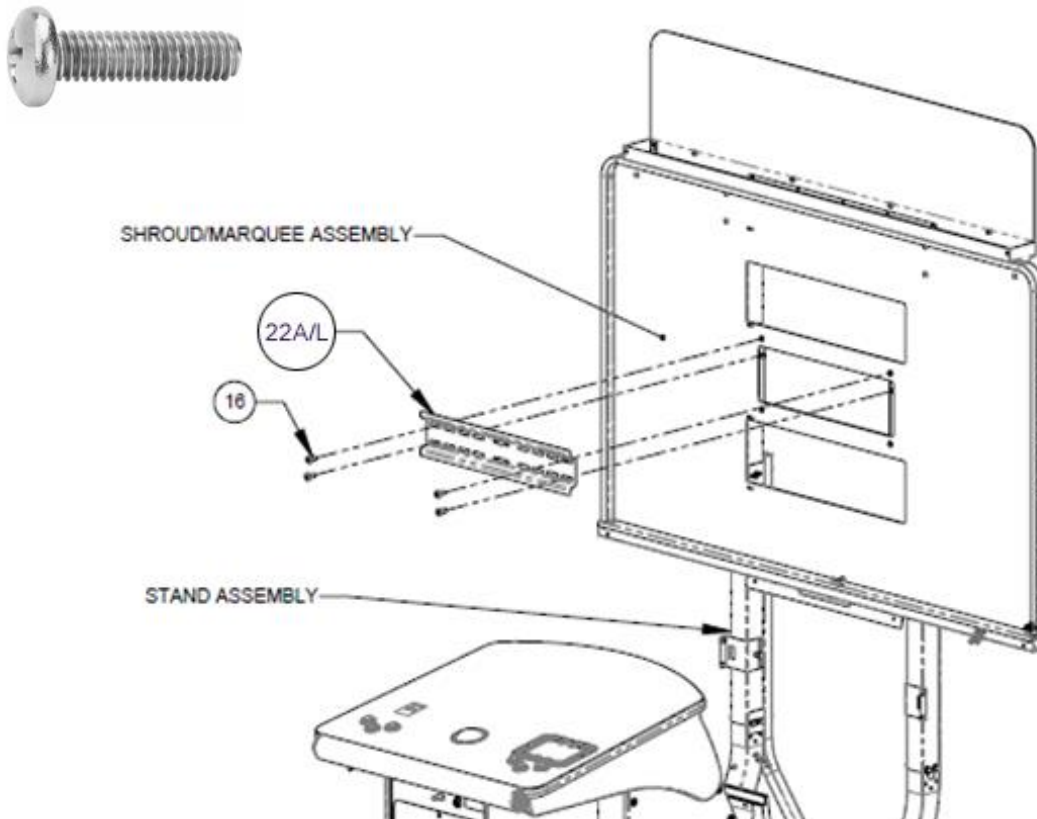
1. Hold Mount Plate A over the middle cut out on the front of the shroud. Align Mount Plate A so the four pre-drilled holes in the Shroud align with the four outside edge openings on the Mount. See diagram below.
2. Using (4) **5/16-18 Phillips Zinc Pan Screws** *Item 16* attach Mount Plate A to the front of the Shroud.

### Offset Bracket

3. Using (1) **5/16-18 Phillips Zinc Pan Screw** *Item 16* to attach the Offset Bracket through Mount Plate A and 4-hole Monitor Brace. See Offset diagram right. Repeat this step on the opposite side with the other Offset Bracket.
4. Using (2) **5/16-18 Phillips Zinc Pan Screws** *Item 16* attach Mount Plate A to the front of the Shroud at the lower left and right corners of Mount Plate A.



**Rear of Shroud (Offset Brackets) with 4-Hole Monitor Stand Brace**



## 6B – MONITOR MOUNT PLATE - LONG

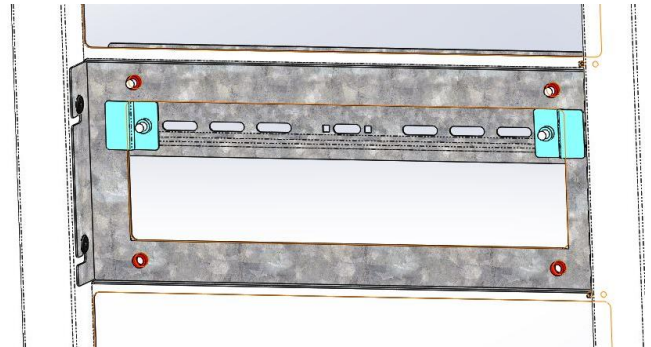
Item Number	Part Number	Item Description	Item Quantity
22L	795365004	LONG MOUNTING DREAM KIT (MOUNT PLATE L)	1
16	780000751	5/16-18 PHILLIPS PAN SCREW (ZINC/BLACK)	4
11B	752365056	OFFSET BRACKET (Use with 4-hole Monitor Stand Brace)	2

**NOTE:** ONLY DO STEPS 3-4 IF YOU HAVE A **4-HOLE** MONITOR STAND BRACE.

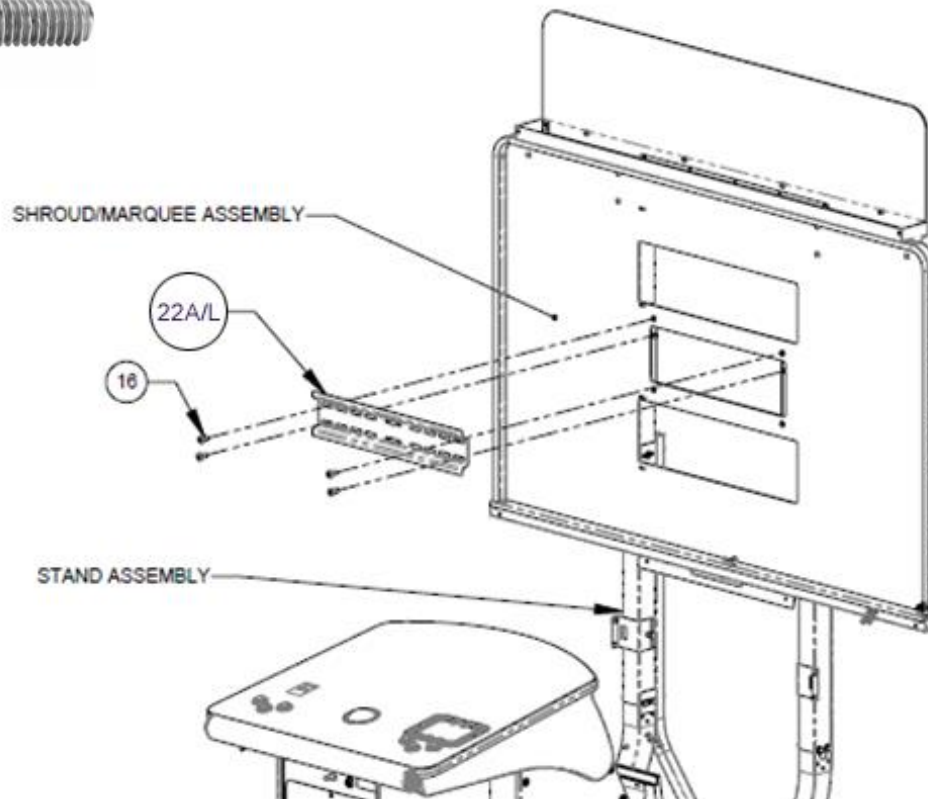
1. Attach two sides of Mount Plate L. Hold Mount Plate L over the middle cut out on the front of the shroud. Align the Monitor Mount so the four pre-drilled holes in the Shroud align with the four outside edge openings on the Mount. See diagram.
2. Using (4) **5/16-18 Phillips Zinc Pan Screws** *Item 16* attach Mount Plate L to the front of the Shroud.

### Offset Bracket

5. Using (1) **5/16-18 Phillips Zinc Pan Screw** *Item 16* to attach the Offset Bracket through Mount Plate L and 4-hole Monitor Brace. See Offset diagram right. Repeat this step on the opposite side with the other Offset Bracket.
6. Using (2) **5/16-18 Phillips Zinc Pan Screws** *Item 16* attach Mount Plate A to the front of the Shroud at the lower left and right corners of Mount Plate L.



**Rear of Shroud (Offset Brackets) with 4-Hole Monitor Stand Brace**

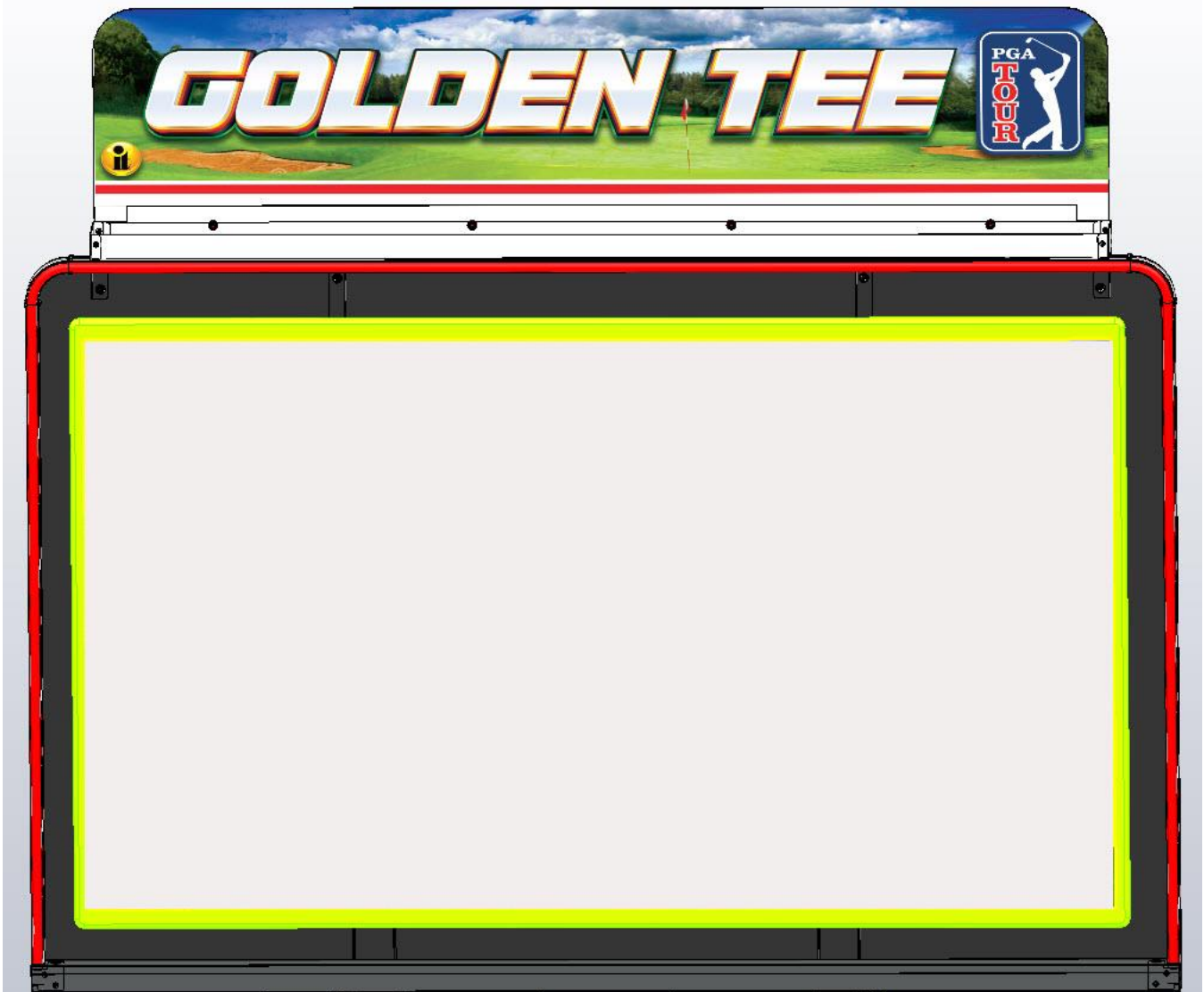


## 6C – HANG MONITOR

With an assistant, carefully lift the monitor into position and hang the monitor on the Mount Plate. Do not lock the quick release spring clips until the monitor has been evenly centered against the shroud. All sides should be even. With the spring clips unattached, the monitor will swing out making it easy to insert the HDMI Cable into the HDMI Input on the back of the monitor. Connect the AC Power cable from HDTV to power strip.



ADJUST SPRING CLIP CORDS  
TO HANG JUST ABOVE THE  
BOTTOM OF MONITOR FOR  
EASY ACCESS FROM FRONT

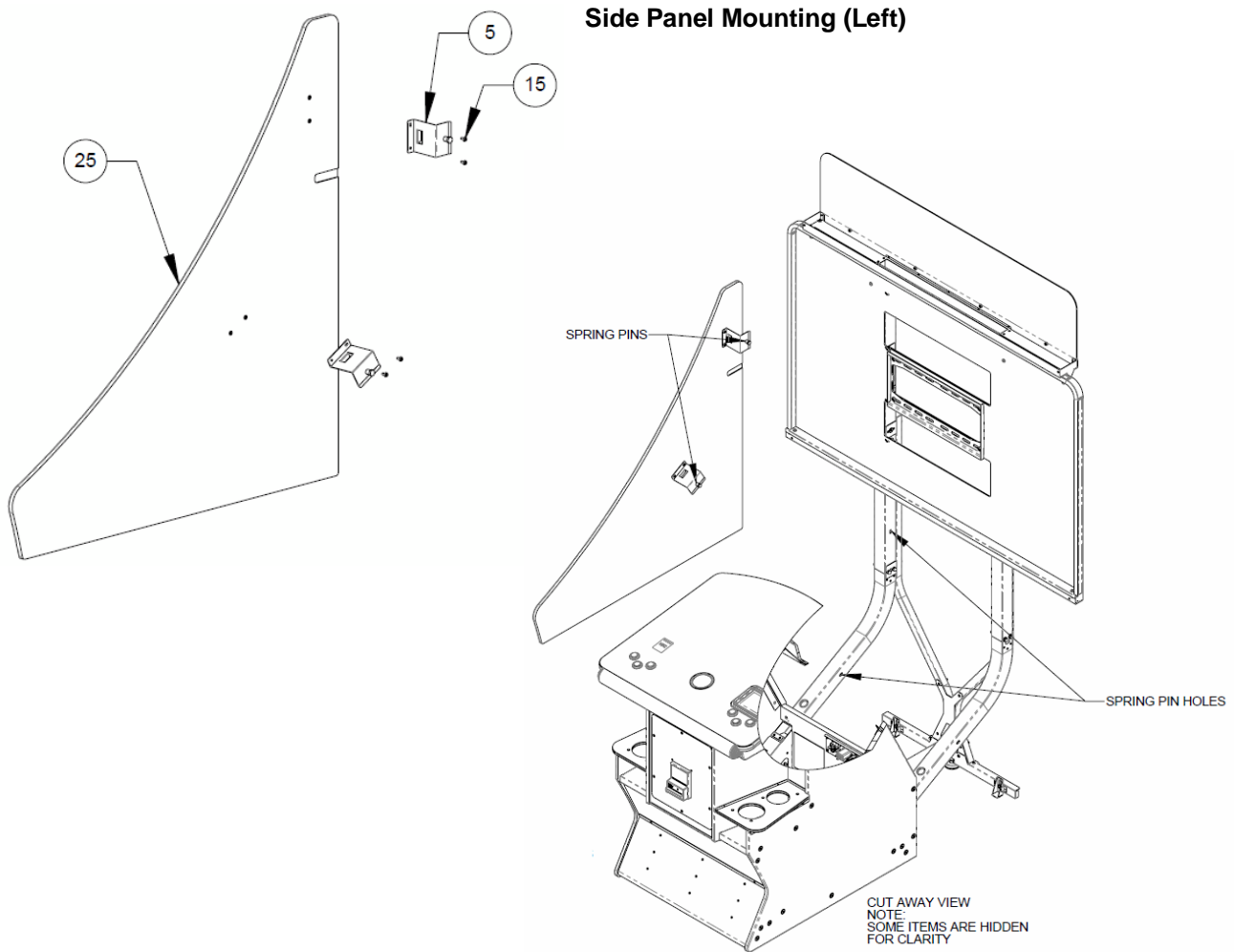


# 7 – SIDE PANEL ASSEMBLY

Item Number	Part Number	Item Description	Item Quantity
25	845365004	SIDE PANEL (L)	1
26	845365005	SIDE PANEL (R)	1
5	752365029	PANEL MOUNTING BRACKET	4
15	780000115	8-32 HEX PHILLIPS SCREW (ZINC)	8



1. Locate (2) **Side Panels** *Items 25 (L) and 26 (R)*, (4) and (8) **8-32 Hex Phillips Screws** *Item 15*.
2. Using four **8-32 Hex Phillips Screws**, attach the **Panel Mounting Brackets** *Item 5* to the pre-drilled holes on the inside of the left **Side Panel** *Item 25*. See Side Panel Mounting (Left) diagram. Repeat on the right side.
3. Slide the Spring Pins on the Panel Mounting Brackets through the two pre-drilled holes on the Tubing Assembly. See Spring Pins diagram.



**Spring Pins**

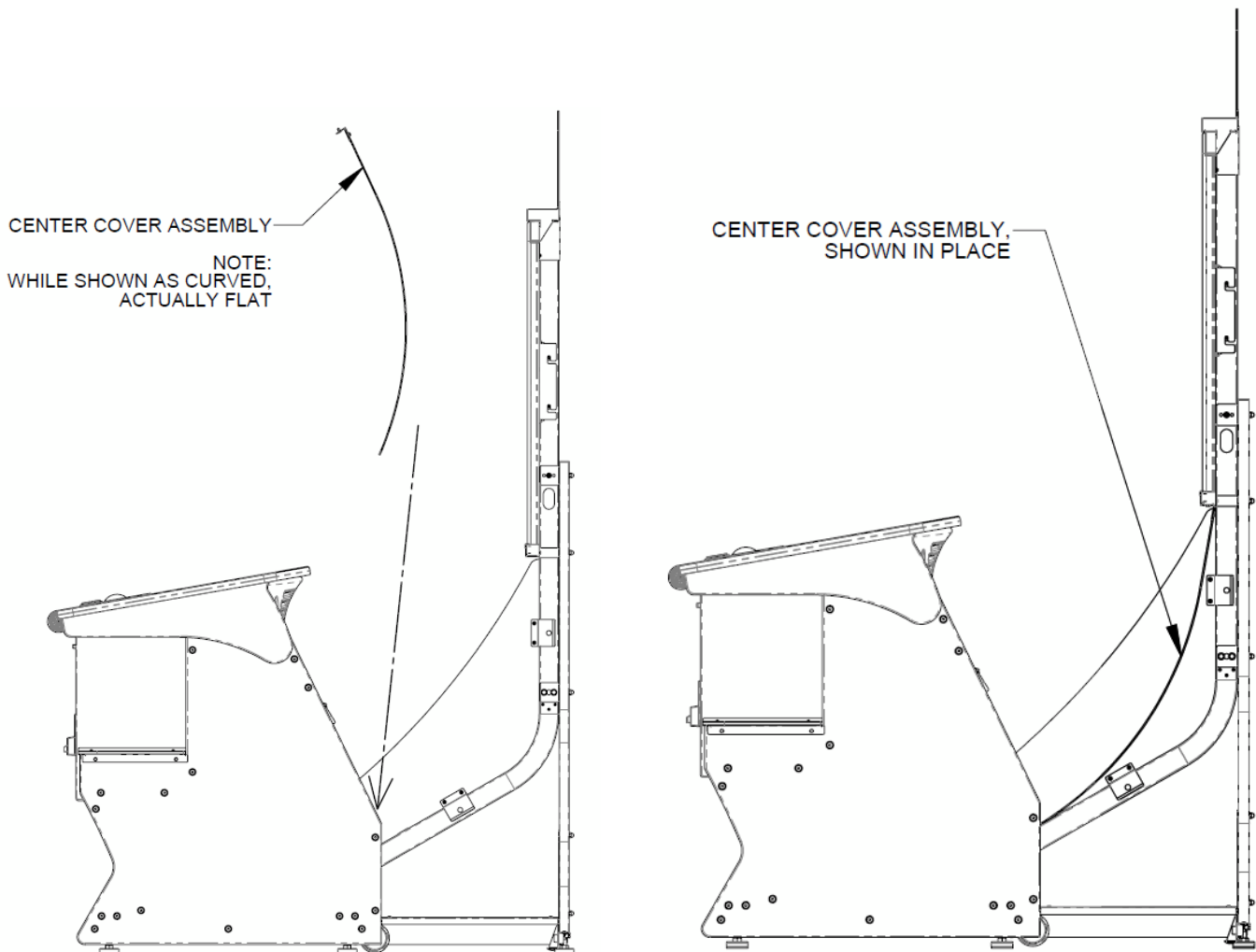
## 8 – CENTER COVER POSITIONING

Item Number	Part Number	Item Description	Item Quantity
1	750365009	CENTER COVER	1

1. Set the Center Cover in place so that the bottom edges are touching the Tubing Extensions and the back wall of the Pedestal Cabinet.
2. Use slight pressure to bend the Cover and press the plastic sheet into place against the bottom for the Shroud. See diagram.



THE ROUGH SIDE OF CENTER COVER FACES THE PEDESTAL





## 9 – CONTROL PANEL

**IMPORTANT!!**



IT IS IMPORTANT TO REMOVE THE PROTECTIVE COATING ON THE CONTROL PANEL. FAILURE TO REMOVE THE COATING WILL INHIBIT PROPER GAME PLAY.

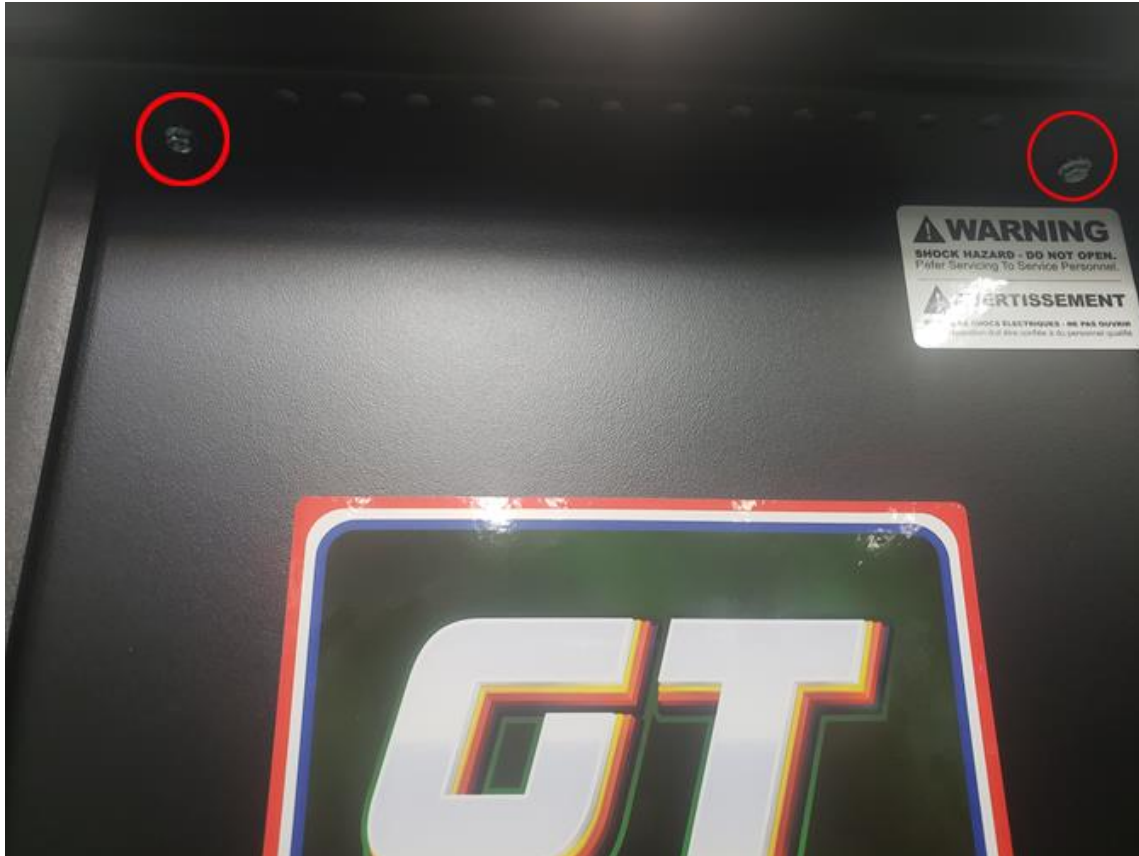


## INTERIOR CABINET ACCESS

You will need to remove two screws to access the interior of the Clubhouse Edition cabinet. Use a ¼" inch head bit or a #1 Phillips head screwdriver to remove the two screws below the control panel on the front of the cabinet.

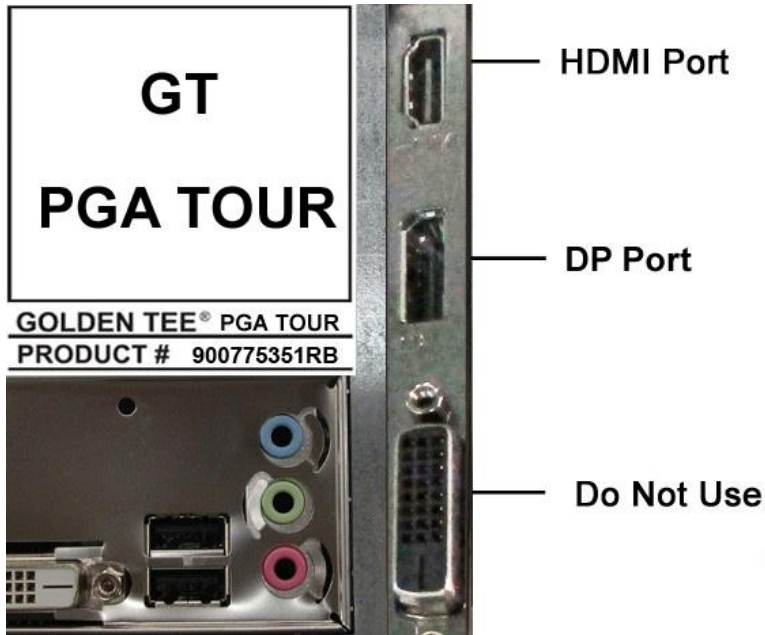
**Note:** You can safely ignore the Warning label.

Lift the control panel to access the Titan System Box.



## VIDEO CONNECTIONS FOR HDTV

Golden Tee PGA TOUR Clubhouse Edition only supports 4K resolution. **Do not attempt to connect a HDTV monitor with less than 4K resolution to the PGA TOUR Edition.**



### Main Monitor HDMI Connection

Connect the HDMI cable (supplied) to the HDMI Port on the Titan system box indicated as HDMI Port.

**Note:** The cable was connected to the HDTV in **Step 5: Cable Feeds**, which is on page 18. Please review this page if you haven't yet connected to the HDTV.

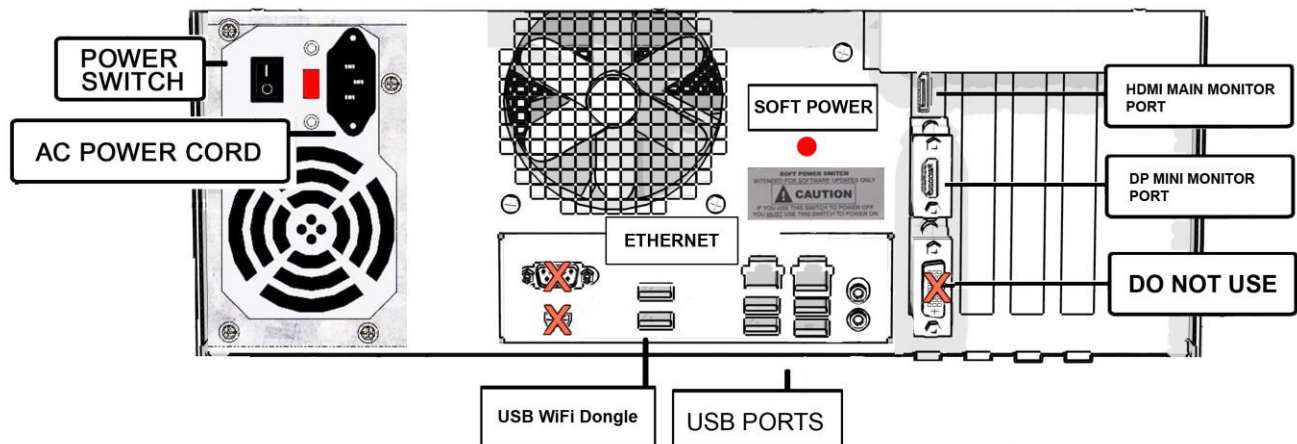
### DP Cable

The DP Cable is already connected from the Mini Monitor to the DP Port on the Titan system box. If it becomes detached, make sure to reconnect the cable.

## SYSTEM BOX CONNECTIONS

Below is a diagram of the System Box for reference.

### Titan System Box



## HDTV CONNECTION AND POWER ON

Turn ON the HDTV and navigate to the Source/Input Menu. Select the HDMI port where you have the HDMI cable for Golden Tee connected.

Turn ON game using the cabinet power switch located next to AC power cord on the rear of cabinet. A boot up screen loads followed by the game video once the boot sequence completes. This will take a few minutes.

## DEDICATED ETHERNET SETUP

You can either use Ethernet or Wifi to setup online access. Wifi Setup is on the following page.

Use the red button above the cup holders to access the Menus.

1. Navigate to **ITNet Settings>Connection Tests** and select **Force Call to ITNET**.
2. The screen reads: **Call Was Successful**  
**Adjustables Could Not Sync**
3. You are now connected to ITNET. The game is online but still needs to be registered with a subscription to access all online features.
4. Please see [Registration](#) (page 30) for details about registering the game to access all online features.



### Force Call to ITNET

## DEDICATED WIFI SETUP

You can either use Ethernet or Wi-fi to setup online access. Ethernet Setup is on the previous page.

Use the red button above the cup holders to access the Menus.

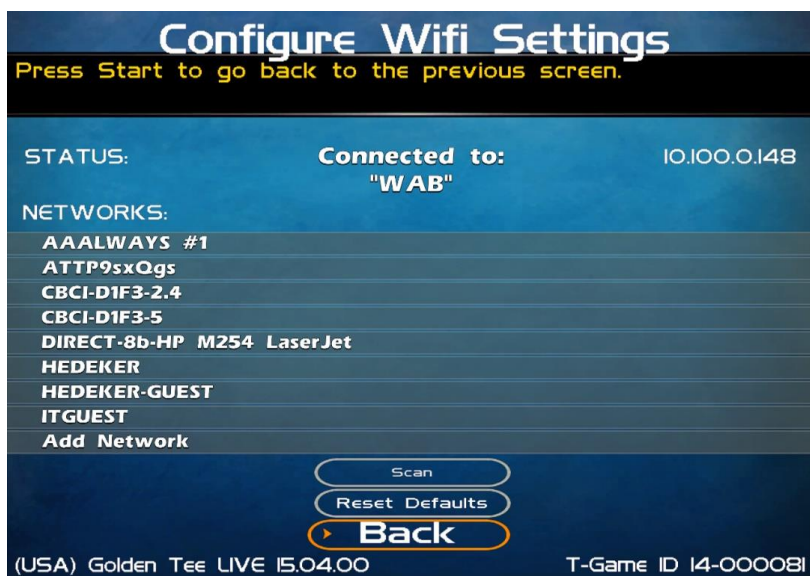
1. Navigate to **ITNet Settings>Communication Settings**.
2. Select **Configure Wifi Settings**.
3. Select **Scan**. The game scans available Networks to find yours.

**Note:** If your Network is not found it is possible to manually enter the name of your Network by selecting **Add Network** at the bottom of the list of available Networks.

4. Enter Password. Then select **Done**. (It will take anywhere from 30 seconds to four minutes for the game to connect to the Wi-Fi Network.) If no connection is made after four minutes, the attempt automatically times out.

**Note:** In the event of a failed connection, reboot the machine.

5. Please see [Registration](#) on the following page for details about registering the game to access all online features.



### Configure Wifi Settings

## REGISTRATION

Each cabinet comes equipped with Wifi and Ethernet connectivity capability. This will allow you to maximize your playing experience with additional game modes, features and exclusive tournaments that will update weekly.

To access online features, please **Register** after you have **setup Wifi/Ethernet**.

To register your game, scan the QR Code or visit:

[https://amusement.itsgames.com/pga\\_clubhouse\\_edition\\_registration](https://amusement.itsgames.com/pga_clubhouse_edition_registration)



## CARE AND CLEANING

### Rubber Bumper

The rubber bumper on the front of the cabinet's control panel is made from durable nitrile rubber. Clean it using a mild soap and water solution or blue window cleaner.

### Vents

The hardware that runs Golden Tee PGA TOUR Edition is quite sophisticated, and many of the chips and processors will get hot very quickly. Like your desktop PC, the Golden Tee PGA TOUR Edition hardware needs adequate ventilation to work properly. Dust and dirt can be a major cause to overheating and will lead to costly repairs. At least once a month, check to make sure the vents are free of dust and debris. Use a vacuum to clear all the ventilation holes on the cabinet as well.

### Trackball Maintenance

The trackball will require periodic maintenance to assure optimum performance. In most cases the inside of the trackball simply needs to be cleaned of any accumulated dust and debris.

See the videos on IT's website on how to remove, clean and replace a trackball:



<https://amusement.itsgames.com/service/instructions>