



## SSB '09 DVD UPDATE INSTRUCTIONS

Updates Offline Silver Strike Bowling to Offline Silver Strike Bowling '09

### To start you will need:

- A USB 2.0 DVD reader with USB cable & power cable.  
See attached list of compatible DVD drives.

### The DVD Upgrade Kit comes with:

- New Security Chip
- Software Upgrade Disk
- New Marquee

**IMPORTANT:** Handle the Disk with extreme care. Hold by the edges only.

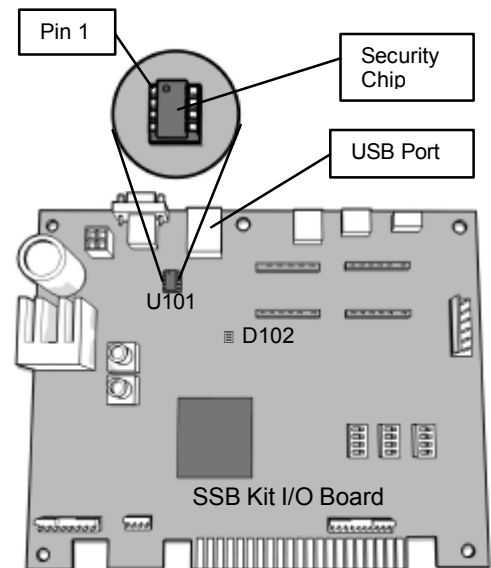
### Step 1: Complete a collection (Recommended)

- 1) Enter the Operator Menu screens and complete a collection on your machine. Your earnings may reset during this installation.

### Step 2: Install Security Chip

- 1) Turn off all power to the game.
- 2) Carefully remove the socketed security chip found at U101 on the I/O board. Note the chip's orientation.
- 3) Make sure the new chip is oriented the same as the old chip before inserting it into the U101 socket. Be sure the chip is seated properly with no bent pins.

If the Security Chip is damaged, **DO NOT THROW IT AWAY.** It is required when purchasing a replacement. See FAQ for more information.



Picture shown is a KIT I/O Board. Some I/O Boards may not have the JAMMA Connector.

### Step 3: Connect DVD Drive

1. Plug the power cord of the DVD player into an appropriate outlet.
2. Connect the USB cable from the DVD player to any open or available USB connector on the Nighthawk Chassis.
3. Turn on the DVD player and insert the Upgrade DVD Disk; close drawer.
4. Turn on power to game. **It is important to not lose power or turn off the game during this software update!**

### **IMPORTANT NOTE FOR MID-RES MONITORS**

**When the game is first turned on, the bootup text will be garbled and unreadable. This is expected. When you see a screen with red "text" for 15 seconds, or if you see a flashcode 11 on D102 of the I/O Board, turn off power to the cabinet, wait 10 seconds, and power the cabinet back on. The update process should continue automatically.**

A FAQ and Troubleshooting Guide are included with these instructions.  
Please refer to the guides before calling Tech Support.

#### **Step 4: Install the Update Software**

1. The game should automatically detect the DVD player and run the Installer program. Follow the onscreen instructions.

**Important! Do not turn off the game, lose power, or move the cabinet/DVD player while the update is in progress.**

2. When the installation is complete, Installer will ask you to turn off the game, remove the DVD from the player, then disconnect the DVD player (USB cables and power cables), and then turn the game back on.
3. The upgrade is complete. **This first boot will take longer than normal, so please be patient!**

### **MARQUEE INSTALLATION**

#### **For Newer Dedicated Cabinets**

1. Remove the 6 security screws that hold the cabinet bezel in place. Refer to the SSB Manual for detailed instructions. Disconnect the two speaker connectors. Open the hinged control panel and pull the bezel toward you, so the marquee artwork is exposed.
2. Carefully remove the old marquee. Be sure the viewing area is clean and free of dirt and debris.
3. Carefully trim ¼" off the right side of the new marquee. This should allow the new marquee to rest flat in the recessed area of the bezel. Be sure it is straight and oriented correctly. Secure the marquee in place with tape. Double-sided tape is highly recommended. Make sure the new art lays flat and is not bowed or stressed.
4. Replace the cabinet bezel, making sure to reconnect the speaker connectors.

#### **For Older Dedicated Cabinets and Golden Tee Fore! Cabinets**

1. Using the old marquee glass as a template, center the glass on top of your new marquee. Make sure that all the printed images are visible.
2. Using an X-acto® knife or other sharp blade, score the new marquee deeply by following the edges of the old glass as a guide. **CAUTION: Do not cut on table or counter top. Use a cutting board or a disposable surface.**
3. Carefully break off any excess material you have cut off.
4. Be sure the light behind the marquee works.
5. Clean the glass on both sides to give players a clear view of the new marquee.
6. Install the marquee graphics and glass securely.

**NOTE: Marquee installation will be different for cabinets that were not manufactured by Incredible Technologies. Consult your manual.**

**A list of Compatible DVD Drives is included with these instructions.**

**A FAQ and Troubleshooting Guide are included with these instructions.  
Please refer to the guides before calling Tech Support.**

**This information is also available in the Support section of  
[www.itsgames.com](http://www.itsgames.com).**